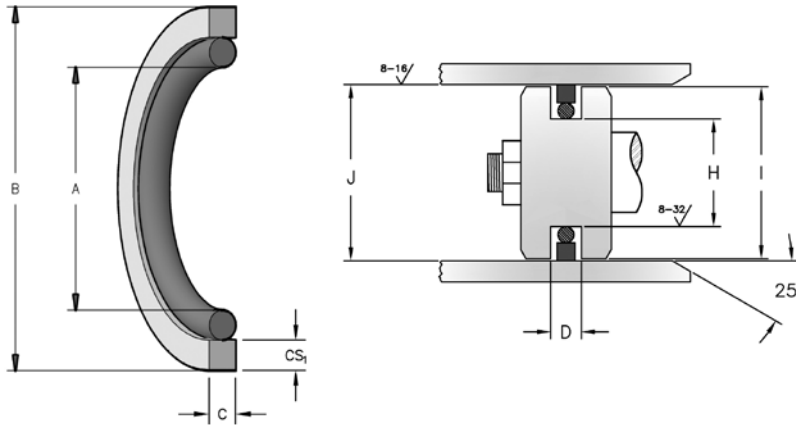


STYLE PS1400 GLASS FILLED PTFE PISTON SEALS

The PS1400 seals offer low friction and high strength in a compact double-acting piston seal design. The PTFE seal ring, combined with a rubber energizer, assures positive contact with the dynamic surface. The PS1400 is designed to fit ANSI/B93.32-1973 groove standards. Piston diameter "I" dimensions are given for pistons without wear rings.



SEAL INFORMATION	
MATERIAL	15% GLASS FILLED PTFE SEAL RUBBER ENERGIZER
TEMPERATURE RANGE	-40° TO +220° F
PRESSURE RANGE	0 TO 5,000 PSI
SPEED	12 FT/SEC
PART NUMBER	(Piston Seal) (Type of Seal)-(Size)

Part Number	A Nom. ID	B Nom. OD	C Nom. Ht	C WIDTH	D GROOVE WIDTH	H GROOVE DIAMETER	I PISTON DIAMETER	J BORE DIAMETER	CS ₁ RING CROSS SECTION	List Price
PS1400-16	.74	1	.07	.070 ±.005	.083 ±.002	.740 ±.002	.997 ±.001	1.000 ^{+.002} _{+.000}	.070 ±.005	\$4.58
PS1400-18	.865	1-1/8	.07	.070 ±.005	.083 ±.002	.865 ±.002	1.122 ±.001	1.125 ^{+.002} _{+.000}	.070 ±.005	6.11
PS1400-20	.99	1-1/4	.07	.070 ±.005	.083 ±.002	.990 ±.002	1.247 ±.001	1.250 ^{+.002} _{+.000}	.070 ±.005	5.05
PS1400-22	1.115	1-3/8	.07	.070 ±.005	.083 ±.002	1.115 ±.002	1.372 ±.001	1.375 ^{+.002} _{+.000}	.070 ±.005	8.52
PS1400-24	1.24	1-1/2	.07	.070 ±.005	.083 ±.002	1.240 ±.002	1.497 ±.001	1.500 ^{+.002} _{+.000}	.070 ±.005	5.26
PS1400-26	1.233	1-5/8	.109	.109 ±.010	.122 ±.002	1.233 ±.002	1.622 ±.001	1.625 ^{+.002} _{+.000}	.109 ±.010	5.35
PS1400-28	1.358	1-3/4	.109	.109 ±.010	.122 ±.002	1.358 ±.002	1.747 ±.001	1.750 ^{+.002} _{+.000}	.109 ±.010	5.48
PS1400-30	1.483	1-7/8	.109	.109 ±.010	.122 ±.002	1.483 ±.002	1.872 ±.001	1.875 ^{+.002} _{+.000}	.109 ±.010	10.66
PS1400-32	1.608	2	.115	.115 ±.010	.129 ±.002	1.608 ±.002	1.996 ±.001	2.000 ^{+.002} _{+.000}	.115 ±.010	5.69
PS1400-34	1.733	2-1/8	.115	.115 ±.010	.129 ±.002	1.733 ±.002	2.121 ±.001	2.125 ^{+.002} _{+.000}	.115 ±.010	10.66
PS1400-36	1.858	2-1/4	.115	.115 ±.010	.129 ±.002	1.858 ±.002	2.246 ±.001	2.250 ^{+.002} _{+.000}	.115 ±.010	5.91
PS1400-38	1.983	2-3/8	.115	.115 ±.010	.129 ±.002	1.983 ±.002	2.371 ±.001	2.375 ^{+.002} _{+.000}	.115 ±.010	5.97
PS1400-40	2.108	2-1/2	.115	.115 ±.010	.129 ±.002	2.108 ±.002	2.496 ±.001	2.500 ^{+.002} _{+.000}	.115 ±.010	5.98
PS1400-44	2.358	2-3/4	.115	.115 ±.010	.129 ±.002	2.358 ±.002	2.746 ±.001	2.750 ^{+.002} _{+.000}	.115 ±.010	6.04
PS1400-48	2.608	3	.115	.115 ±.010	.129 ±.002	2.608 ±.002	2.996 ±.001	3.000 ^{+.002} _{+.000}	.115 ±.010	6.21
PS1400-50	2.733	3-1/8	.115	.115 ±.010	.129 ±.002	2.733 ±.002	3.121 ±.001	3.125 ^{+.002} _{+.000}	.115 ±.010	22.62
PS1400-52	2.858	3-1/4	.115	.115 ±.010	.129 ±.002	2.858 ±.002	3.246 ±.001	3.250 ^{+.002} _{+.000}	.115 ±.010	6.31
PS1400-54	2.983	3-3/8	.115	.115 ±.010	.129 ±.002	2.983 ±.002	3.371 ±.001	3.375 ^{+.002} _{+.000}	.115 ±.010	11.68

STYLE PS1400 GLASS FILLED PTFE PISTON SEALS



Part Number	A Nom. ID	B Nom. OD	C Nom. Ht	C WIDTH	D GROOVE WIDTH	H GROOVE DIAMETER	I PISTON DIAMETER	J BORE DIAMETER	CS ₁ RING CROSS SECTION	List Price
PS1400-56	3.108	3-1/2	.115	.115 ±.010	.129 ±.002	3.108 ±.002	3.496 ±.001	3.500 ⁺⁰⁰² / ₊₀₀₀	.115 ±.010	6.49
PS1400-58	3.233	3-5/8	.115	.115 ±.010	.129 ±.002	3.233 ±.002	3.621 ±.001	3.625 ⁺⁰⁰² / ₊₀₀₀	.115 ±.010	12.00
PS1400-60	3.358	3-3/4	.115	.115 ±.010	.129 ±.002	3.358 ±.002	3.746 ±.001	3.750 ⁺⁰⁰² / ₊₀₀₀	.115 ±.010	7.04
PS1400-64	3.608	4	.115	.115 ±.010	.129 ±.002	3.608 ±.002	3.996 ±.001	4.000 ⁺⁰⁰² / ₊₀₀₀	.115 ±.010	7.16
PS1400-68	3.858	4-1/4	.115	.115 ±.010	.129 ±.002	3.858 ±.002	4.246 ±.001	4.250 ⁺⁰⁰² / ₊₀₀₀	.115 ±.010	7.30
PS1400-70.4	4.008	4.4	.115	.115 ±.010	.129 ±.002	4.008 ±.002	4.396 ±.001	4.400 ⁺⁰⁰² / ₊₀₀₀	.115 ±.010	23.29
PS1400-72	4.108	4-1/2	.115	.115 ±.010	.129 ±.002	4.108 ±.002	4.496 ±.001	4.500 ⁺⁰⁰² / ₊₀₀₀	.115 ±.010	7.99
PS1400-76	4.358	4-3/4	.115	.115 ±.010	.129 ±.002	4.358 ±.002	4.746 ±.001	4.750 ⁺⁰⁰² / ₊₀₀₀	.115 ±.010	12.43
PS1400-78	4.483	4-7/8	.115	.115 ±.010	.129 ±.002	4.483 ±.002	4.871 ±.001	4.875 ⁺⁰⁰² / ₊₀₀₀	.115 ±.010	23.47
PS1400-80	4.608	5	.115	.115 ±.010	.129 ±.002	4.608 ±.002	4.996 ±.001	5.000 ⁺⁰⁰² / ₊₀₀₀	.115 ±.010	8.92
PS1400-84	4.858	5-1/4	.115	.115 ±.010	.129 ±.002	4.858 ±.002	5.246 ±.001	5.250 ⁺⁰⁰² / ₊₀₀₀	.115 ±.010	9.55
PS1400-88	5.108	5-1/2	.115	.115 ±.010	.129 ±.002	5.108 ±.002	5.496 ±.001	5.500 ⁺⁰⁰² / ₊₀₀₀	.115 ±.010	9.82
PS1400-92	5.232	5-3/4	.143	.143 ±.010	.159 ±.002	5.232 ±.002	5.746 ±.001	5.750 ⁺⁰⁰² / ₊₀₀₀	.143 ±.010	10.44
PS1400-94	5.357	5-7/8	.143	.143 ±.010	.159 ±.002	5.357 ±.002	5.871 ±.001	5.875 ⁺⁰⁰² / ₊₀₀₀	.143 ±.010	26.71
PS1400-96	5.482	6	.143	.143 ±.010	.159 ±.002	5.482 ±.002	5.996 ±.001	6.000 ⁺⁰⁰² / ₊₀₀₀	.143 ±.010	10.96
PS1400-98	5.607	6-1/8	.143	.143 ±.010	.159 ±.002	5.607 ±.002	6.121 ±.001	6.125 ⁺⁰⁰² / ₊₀₀₀	.143 ±.010	23.43
PS1400-100	5.732	6-1/4	.143	.143 ±.010	.159 ±.002	5.732 ±.002	6.246 ±.001	6.250 ⁺⁰⁰² / ₊₀₀₀	.143 ±.010	11.69
PS1400-104	5.982	6-1/2	.143	.143 ±.010	.159 ±.002	5.982 ±.002	6.496 ±.001	6.500 ⁺⁰⁰² / ₊₀₀₀	.143 ±.010	13.92
PS1400-112	6.482	7	.143	.143 ±.010	.159 ±.002	6.482 ±.002	6.996 ±.001	7.000 ⁺⁰⁰² / ₊₀₀₀	.143 ±.010	14.29
PS1400-116	6.732	7-1/4	.143	.143 ±.010	.159 ±.002	6.732 ±.002	7.246 ±.001	7.250 ⁺⁰⁰² / ₊₀₀₀	.143 ±.010	14.29
PS1400-120	6.982	7-1/2	.143	.143 ±.010	.159 ±.002	6.982 ±.002	7.496 ±.001	7.500 ⁺⁰⁰² / ₊₀₀₀	.143 ±.010	14.30
PS1400-128	7.482	8	.143	.143 ±.010	.159 ±.002	7.482 ±.002	7.996 ±.001	8.000 ⁺⁰⁰² / ₊₀₀₀	.143 ±.010	14.53
PS1400-130	7.607	8-1/8	.143	.143 ±.010	.159 ±.002	7.607 ±.002	8.121 ±.001	8.125 ⁺⁰⁰² / ₊₀₀₀	.143 ±.010	32.06
PS1400-132	7.732	8-1/4	.143	.143 ±.010	.159 ±.002	7.732 ±.002	8.246 ±.001	8.250 ⁺⁰⁰² / ₊₀₀₀	.143 ±.010	36.25
PS1400-136	7.982	8-1/2	.143	.143 ±.010	.159 ±.002	7.982 ±.002	8.496 ±.001	8.500 ⁺⁰⁰² / ₊₀₀₀	.143 ±.010	41.08
PS1400-144	8.482	9	.143	.143 ±.010	.159 ±.002	8.482 ±.002	8.996 ±.001	9.000 ⁺⁰⁰² / ₊₀₀₀	.143 ±.010	43.16
PS1400-152	8.982	9-1/2	.143	.143 ±.010	.159 ±.002	8.982 ±.002	9.496 ±.001	9.500 ⁺⁰⁰² / ₊₀₀₀	.143 ±.010	55.65
PS1400-160	9.482	10	.143	.143 ±.010	.159 ±.002	9.482 ±.002	9.996 ±.001	10.000 ⁺⁰⁰² / ₊₀₀₀	.143 ±.010	60.96
PS1400-168	9.982	10-1/2	.143	.143 ±.010	.159 ±.002	9.982 ±.002	10.496 ±.001	10.500 ⁺⁰⁰² / ₊₀₀₀	.143 ±.010	77.90
PS1400-176	10.482	11	.143	.143 ±.010	.159 ±.002	10.482 ±.002	10.996 ±.001	11.000 ⁺⁰⁰² / ₊₀₀₀	.143 ±.010	84.35

STYLE PS1400 GLASS FILLED PTFE PISTON SEALS

Part Number	A Nom. ID	B Nom. OD	C Nom. Ht	C WIDTH	D GROOVE WIDTH	H GROOVE DIAMETER	I PISTON DIAMETER	J BORE DIAMETER	CS ₁ RING CROSS SECTION	List Price
PS1400-184	10.982	11-1/2	.143	.143 ±.010	.159 ±.002	10.982 ±.002	11.496 ±.001	11.500 ^{+.002} / _{+.000}	.143 ±.010	86.44
PS1400-192	11.482	12	.143	.143 ±.010	.159 ±.002	11.482 ±.002	11.996 ±.001	12.000 ^{+.002} / _{+.000}	.143 ±.010	89.62
PS1400-200	11.982	12-1/2	.143	.143 ±.010	.159 ±.002	11.982 ±.002	12.496 ±.001	12.500 ^{+.002} / _{+.000}	.143 ±.010	94.38
PS1400-208	12.482	13	.143	.143 ±.010	.159 ±.002	12.482 ±.002	12.996 ±.001	13.000 ^{+.002} / _{+.000}	.143 ±.010	115.33
PS1400-224	13.482	14	.143	.143 ±.010	.159 ±.002	13.482 ±.002	13.996 ±.001	14.000 ^{+.002} / _{+.000}	.143 ±.010	167.89

INSTALLATION OF PTFE PISTON SEALS

Installing PTFE piston seals is not always an easy task. The use of installation tools is recommended but often not convenient when working with a wide variety of sizes and applications. Finger installations are practical with rings of smaller cross-sections. Using fingers or a rounded plastic stick, knead the ring over the piston into the groove. With rings of larger cross-sections it may be necessary to heat the ring. Warming the ring in water or oil at 130° F or 140° F for about 5 minutes will soften the material for easier installation. Always avoid inconsistent stretching or overstretching of the PTFE seal.

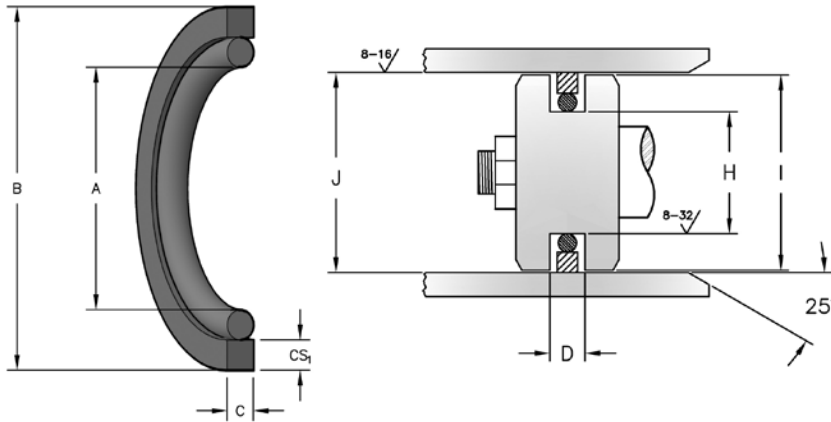
To prevent the PTFE ring from snapping into the wrong groove, cover wear ring grooves with plastic tape.

After seal installation, assembly of the cylinder may be difficult if the piston seal is loose on the piston or the cylinder has an inadequate leading edge chamfer. In such cases, compress the piston seal with belting or a suitable hose clamp. If the piston seal must pass threads or any other sharp edges during the cylinder assembly, cover the edges with plastic tape or wrap.

Seal color may vary.

STYLE PS1500 POLYURETHANE PISTON SEALS

Totally interchangeable with Style PS1400 PTFE piston seals, Style PS1500 piston seals are molded from tough 60 Shore D durometer polyurethane. During the molding process, a .002" thick band of molybdenum disulfide is molded into the outside diameter of the seal ring for reduced friction. PS1500 piston seals are easily stretched over the piston and recover rapidly with the elimination of the "cold flow" characteristics found in PTFE seals. Piston diameter "I" dimensions are given for pistons without wear rings.



SEAL INFORMATION	
MATERIAL	POLYURETHANE SEAL RUBBER ENERGIZER
TEMPERATURE RANGE	-40° TO +200° F
PRESSURE RANGE	0 TO 5,000 PSI
SPEED	3 FT/SEC
PART NUMBER	(Piston Seal) (Type of Seal) - (Size)

Part Number	A Nom. ID	B Nom. OD	C Nom. Ht	D GROOVE WIDTH	H GROOVE DIAMETER	I PISTON DIAMETER	J BORE DIAMETER	C HEIGHT	CS ₁ RING CROSS SECTION	List Price
PS1500-24	1.241	1-1/2	.07	.083 +.002 +.000	1.241 +.002 +.000	1.497 ±.001	1.500 +.002 +.000	.070 ±.005	.070 ±.005	\$4.45
PS1500-28	1.36	1-3/4	.109	.122 +.002 +.000	1.360 +.002 +.000	1.747 ±.001	1.750 +.002 +.000	.109 ±.005	.109 ±.005	4.63
PS1500-32	1.606	2	.115	.130 +.002 +.000	1.606 +.002 +.000	1.996 ±.001	2.000 +.002 +.000	.115 ±.005	.115 ±.005	4.81
PS1500-36	1.856	2-1/4	.115	.130 +.002 +.000	1.856 +.002 +.000	2.246 ±.001	2.250 +.002 +.000	.115 ±.005	.115 ±.005	4.95
PS1500-38	1.981	2-3/8	.115	.130 +.002 +.000	1.981 +.002 +.000	2.371 ±.001	2.375 +.002 +.000	.115 ±.005	.115 ±.005	4.98
PS1500-40	2.106	2-1/2	.115	.130 +.002 +.000	2.106 +.002 +.000	2.496 ±.001	2.500 +.002 +.000	.115 ±.005	.115 ±.005	5.00
PS1500-44	2.356	2-3/4	.115	.130 +.002 +.000	2.356 +.002 +.000	2.746 ±.001	2.750 +.002 +.000	.115 ±.005	.115 ±.005	5.08
PS1500-48	2.606	3	.115	.130 +.002 +.000	2.606 +.002 +.000	2.996 ±.001	3.000 +.002 +.000	.115 ±.005	.115 ±.005	5.23
PS1500-52	2.856	3-1/4	.115	.130 +.002 +.000	2.856 +.002 +.000	3.246 ±.001	3.250 +.002 +.000	.115 ±.005	.115 ±.005	5.34
PS1500-54	2.981	3-3/8	.115	.130 +.002 +.000	2.981 +.002 +.000	3.371 ±.001	3.375 +.002 +.000	.115 ±.005	.115 ±.005	7.83
PS1500-56	3.106	3-1/2	.115	.130 +.002 +.000	3.106 +.002 +.000	3.496 ±.001	3.500 +.002 +.000	.115 ±.005	.115 ±.005	5.50
PS1500-60	3.356	3-3/4	.115	.130 +.002 +.000	3.356 +.002 +.000	3.746 ±.001	3.750 +.002 +.000	.115 ±.005	.115 ±.005	5.62
PS1500-64	3.606	4	.115	.130 +.002 +.000	3.606 +.002 +.000	3.996 ±.001	4.000 +.002 +.000	.115 ±.005	.115 ±.005	6.00
PS1500-68	3.856	4-1/4	.115	.130 +.002 +.000	3.856 +.002 +.000	4.246 ±.001	4.250 +.002 +.000	.115 ±.005	.115 ±.005	6.17
PS1500-72	4.106	4-1/2	.115	.130 +.002 +.000	4.106 +.002 +.000	4.496 ±.001	4.500 +.002 +.000	.115 ±.005	.115 ±.005	6.80
PS1500-76	4.356	4-3/4	.115	.130 +.002 +.000	4.356 +.002 +.000	4.746 ±.001	4.750 +.002 +.000	.115 ±.005	.115 ±.005	7.02
PS1500-80	4.606	5	.115	.130 +.002 +.000	4.606 +.002 +.000	4.996 ±.001	5.000 +.002 +.000	.115 ±.005	.115 ±.005	7.52
PS1500-84	4.856	5-1/4	.115	.130 +.002 +.000	4.856 +.002 +.000	5.246 ±.001	5.250 +.002 +.000	.115 ±.005	.115 ±.005	7.98

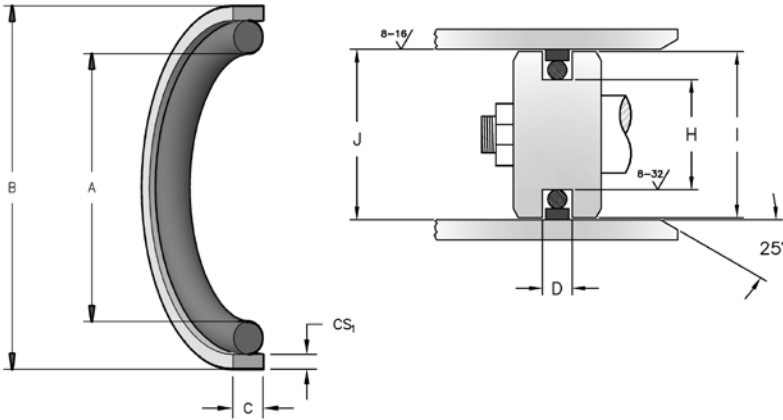
STYLE PS1500 POLYURETHANE PISTON SEALS

Part Number	A Nom. ID	B Nom. OD	C Nom. Ht	D GROOVE WIDTH	H GROOVE DIAMETER	I PISTON DIAMETER	J BORE DIAMETER	C HEIGHT	CS ₁ RING CROSS SECTION	List Price
PS1500-88	5.106	5-1/2	.115	.130 ^{+0.02} / _{+0.000}	5.106 ^{+0.02} / _{+0.000}	5.496 ±.001	5.500 ^{+0.02} / _{+0.000}	.115 ±.005	.115 ±.005	8.40
PS1500-92	5.232	5-3/4	.143	.159 ^{+0.02} / _{+0.000}	5.232 ^{+0.02} / _{+0.000}	5.746 ±.001	5.750 ^{+0.02} / _{+0.000}	.143 ±.005	.143 ±.005	9.30
PS1500-96	5.482	6	.143	.159 ^{+0.02} / _{+0.000}	5.482 ^{+0.02} / _{+0.000}	5.996 ±.001	6.000 ^{+0.02} / _{+0.000}	.143 ±.005	.143 ±.005	11.93
PS1500-104	5.982	6-1/2	.143	.159 ^{+0.02} / _{+0.000}	5.982 ^{+0.02} / _{+0.000}	6.496 ±.001	6.500 ^{+0.02} / _{+0.000}	.143 ±.005	.143 ±.005	12.53
PS1500-112	6.482	7	.143	.159 ^{+0.02} / _{+0.000}	6.482 ^{+0.02} / _{+0.000}	6.996 ±.001	7.000 ^{+0.02} / _{+0.000}	.143 ±.005	.143 ±.005	13.24
PS1500-136	7.982	8-1/2	.143	.159 ^{+0.02} / _{+0.000}	7.982 ^{+0.02} / _{+0.000}	8.494 ±.001	8.500 ^{+0.02} / _{+0.000}	.143 ±.005	.143 ±.005	15.03

STYLE PS1600 GLASS FILLED PTFE PISTON SEALS



NOTE: Piston diameter "I" dimensions are given for pistons without wear rings.



SEAL INFORMATION	
MATERIAL	15% GLASS FILLED PTFE SEAL RUBBER ENERGIZER
TEMPERATURE RANGE	-40° TO +220° F
PRESSURE RANGE	0 TO 5,000 PSI
SPEED	12 FT/SEC
PART NUMBER	(Piston Seal) (Type of Seal)- (Size)

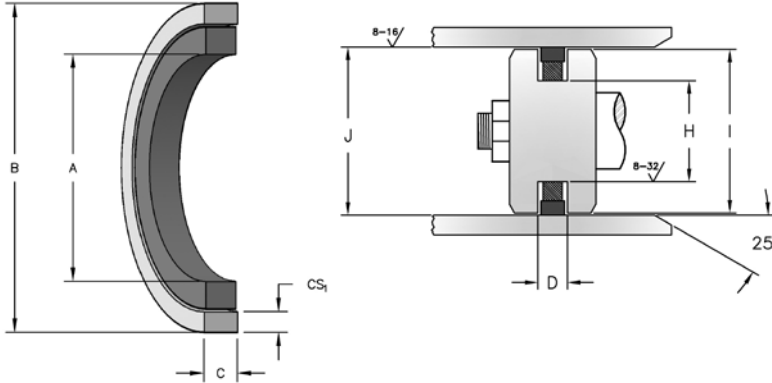
Part Number	A Nom. ID	B Nom. OD	C Nom. Ht	D GROOVE WIDTH	H GROOVE DIAMETER	I PISTON DIAMETER	J BORE DIAMETER	C HEIGHT	CS ₁ RING CROSS SECTION	List Price
PS1600-16	.787	1	.088	.094 ±.003	.787 ±.002	.999 ^{+0.00} _{-.003}	1.000 ^{+0.002} _{+.000}	.088 ±.005	.055 ±.005	\$6.41
PS1600-18	.912	1-1/8	.088	.094 ±.003	.912 ±.002	1.124 ^{+0.00} _{-.003}	1.125 ^{+0.002} _{+.000}	.088 ±.005	.055 ±.005	6.55
PS1600-20	1.037	1-1/4	.088	.094 ±.003	1.037 ±.002	1.249 ^{+0.00} _{-.003}	1.250 ^{+0.002} _{+.000}	.088 ±.005	.055 ±.005	6.72
PS1600-22	1.162	1-3/8	.088	.094 ±.003	1.162 ±.002	1.374 ^{+0.00} _{-.003}	1.375 ^{+0.002} _{+.000}	.088 ±.005	.055 ±.005	6.84
PS1600-24	1.287	1-1/2	.088	.094 ±.003	1.287 ±.002	1.499 ^{+0.00} _{-.003}	1.500 ^{+0.002} _{+.000}	.088 ±.005	.055 ±.005	7.04
PS1600-26	1.412	1-5/8	.088	.094 ±.003	1.412 ±.002	1.624 ^{+0.00} _{-.003}	1.625 ^{+0.002} _{+.000}	.088 ±.005	.055 ±.005	7.27
PS1600-28	1.537	1-3/4	.088	.094 ±.003	1.537 ±.002	1.749 ^{+0.00} _{-.003}	1.750 ^{+0.002} _{+.000}	.088 ±.005	.055 ±.005	7.94
PS1600-30	1.598	1-7/8	.12	.126 ±.003	1.598 ±.002	1.874 ^{+0.00} _{-.003}	1.875 ^{+0.002} _{+.000}	.120 ±.005	.060 ±.005	8.19
PS1600-32	1.723	2	.12	.126 ±.003	1.723 ±.002	1.999 ^{+0.00} _{-.003}	2.000 ^{+0.002} _{+.000}	.120 ±.005	.060 ±.005	8.86
PS1600-36	1.973	2-1/4	.12	.126 ±.003	1.973 ±.002	2.249 ^{+0.00} _{-.003}	2.250 ^{+0.002} _{+.000}	.120 ±.005	.060 ±.005	9.42
PS1600-38	2.098	2-3/8	.12	.126 ±.003	2.098 ±.002	2.374 ^{+0.00} _{-.003}	2.375 ^{+0.002} _{+.000}	.120 ±.005	.060 ±.005	9.86
PS1600-40	2.223	2-1/2	.12	.126 ±.003	2.223 ±.002	2.500 ^{+0.00} _{-.003}	2.500 ^{+0.002} _{+.000}	.120 ±.005	.060 ±.005	9.86
PS1600-44	2.353	2-3/4	.15	.157 ±.003	2.353 ±.002	2.750 ^{+0.00} _{-.004}	2.750 ^{+0.002} _{+.000}	.150 ±.005	.090 ±.005	11.77
PS1600-48	2.603	3	.15	.157 ±.003	2.603 ±.002	3.000 ^{+0.00} _{-.004}	3.000 ^{+0.002} _{+.000}	.150 ±.005	.090 ±.005	15.17
PS1600-52	2.853	3-1/4	.15	.157 ±.003	2.853 ±.002	3.250 ^{+0.00} _{-.004}	3.250 ^{+0.002} _{+.000}	.150 ±.005	.090 ±.005	15.99
PS1600-56	3.103	3-1/2	.15	.157 ±.003	3.103 ±.002	3.500 ^{+0.00} _{-.004}	3.500 ^{+0.002} _{+.000}	.150 ±.005	.090 ±.005	16.47
PS1600-60	3.353	3-3/4	.15	.157 ±.003	3.353 ±.002	3.749 ^{+0.00} _{-.004}	3.750 ^{+0.002} _{+.000}	.150 ±.005	.090 ±.005	16.56
PS1600-64	3.603	4	.15	.157 ±.003	3.603 ±.002	4.000 ^{+0.00} _{-.004}	4.000 ^{+0.002} _{+.000}	.150 ±.005	.090 ±.005	16.92

STYLE PS1600 GLASS FILLED PTFE PISTON SEALS

Part Number	A Nom. ID	B Nom. OD	C Nom. Ht	D GROOVE WIDTH	H GROOVE DIAMETER	I PISTON DIAMETER	J BORE DIAMETER	C HEIGHT	CS ₁ RING CROSS SECTION	List Price
PS1600-68	3.853	4-1/4	.15	.157 ±.003	3.853 ±.002	4.250 ^{+0.000} _{-0.004}	4.250 ^{+0.002} _{+0.000}	.150 ±.005	.090 ±.005	16.88
PS1600-72	4.103	4-1/2	.15	.157 ±.003	4.103 ±.002	4.500 ^{+0.000} _{-0.004}	4.500 ^{+0.002} _{+0.000}	.150 ±.005	.090 ±.005	17.09
PS1600-76	4.353	4-3/4	.15	.157 ±.003	4.353 ±.002	4.750 ^{+0.000} _{-0.004}	4.750 ^{+0.002} _{+0.000}	.150 ±.005	.090 ±.005	20.83
PS1600-80	4.603	5	.15	.157 ±.003	4.603 ±.002	5.000 ^{+0.000} _{-0.004}	5.000 ^{+0.002} _{+0.000}	.150 ±.005	.090 ±.005	21.19
PS1600-84	4.853	5-1/4	.15	.157 ±.003	4.853 ±.002	5.250 ^{+0.000} _{-0.004}	5.250 ^{+0.002} _{+0.000}	.150 ±.005	.090 ±.005	22.64
PS1600-88	5.103	5-1/2	.15	.157 ±.003	5.103 ±.002	5.500 ^{+0.000} _{-0.004}	5.500 ^{+0.002} _{+0.000}	.150 ±.005	.090 ±.005	24.01
PS1600-92	5.353	5-3/4	.15	.157 ±.003	5.353 ±.002	5.750 ^{+0.000} _{-0.004}	5.750 ^{+0.002} _{+0.000}	.150 ±.005	.090 ±.005	29.38
PS1600-96	5.305	6	.287	.293 ±.003	5.305 ±.002	6.000 ^{+0.000} _{-0.005}	6.000 ^{+0.002} _{+0.000}	.287 ±.005	.120 ±.005	33.34
PS1600-112	6.305	7	.287	.293 ±.003	6.305 ±.002	7.000 ^{+0.000} _{-0.005}	7.000 ^{+0.002} _{+0.000}	.287 ±.005	.120 ±.005	50.56

STYLE PS1800 GLASS FILLED PTFE PISTON SEALS

The PS1800 provides low friction, high strength piston sealing. The PS1800 also provides double-acting piston sealing in a compact design that meets the requirements of ANSI/B93-32-1973. **NOTE:** Piston diameter "I" dimensions are given for pistons without wear rings.



SEAL INFORMATION	
MATERIAL	15% GLASS FILLED PTFE SEAL RUBBER ENERGIZER
TEMPERATURE RANGE	-40° TO +220° F
PRESSURE RANGE	0 TO 5,000 PSI
SPEED	12 FT/SEC
PART NUMBER	(Piston Seal) (Type of Seal) - (Size)

Part Number	A Nom. ID	B Nom. OD	C Nom. Ht	D GROOVE WIDTH	H GROOVE DIAMETER	I PISTON DIAMETER	J BORE DIAMETER	C HEIGHT	CS ₁ RING CROSS SECTION	List Price
PS1800-16	11/16	1	.121	.129 ±.002	.690 ±.002	.999 ^{+0.000} _{-.005}	1.000 ^{+0.002} _{+.000}	.121 ^{+0.000} _{-.005}	.073 ^{+0.000} _{-.006}	\$6.33
PS1800-20	15/16	1-1/4	.121	.129 ±.002	.940 ±.002	1.249 ^{+0.000} _{-.005}	1.250 ^{+0.002} _{+.000}	.121 ^{+0.000} _{-.005}	.073 ^{+0.000} _{-.006}	6.43
PS1800-24	1-3/16	1-1/2	.121	.129 ±.002	1.190 ±.002	1.499 ^{+0.000} _{-.005}	1.500 ^{+0.002} _{+.000}	.121 ^{+0.000} _{-.005}	.073 ^{+0.000} _{-.006}	6.65
PS1800-28	1-7/16	1-3/4	.121	.129 ±.002	1.440 ±.002	1.749 ^{+0.000} _{-.005}	1.750 ^{+0.002} _{+.000}	.121 ^{+0.000} _{-.005}	.073 ^{+0.000} _{-.006}	7.32
PS1800-32	1-11/16	2	.121	.129 ±.002	1.690 ±.002	1.999 ^{+0.000} _{-.005}	2.000 ^{+0.002} _{+.000}	.121 ^{+0.000} _{-.005}	.073 ^{+0.000} _{-.006}	8.89
PS1800-36	1-15/16	2-1/4	.121	.129 ±.002	1.940 ±.002	2.249 ^{+0.000} _{-.005}	2.250 ^{+0.002} _{+.000}	.121 ^{+0.000} _{-.005}	.073 ^{+0.000} _{-.006}	9.92
PS1800-40	2-3/16	2-1/2	.121	.129 ±.002	2.190 ±.002	2.499 ^{+0.000} _{-.005}	2.500 ^{+0.002} _{+.000}	.121 ^{+0.000} _{-.005}	.073 ^{+0.000} _{-.006}	10.00
PS1800-44	2-7/16	2-3/4	.121	.129 ±.002	2.440 ±.002	2.749 ^{+0.000} _{-.005}	2.750 ^{+0.002} _{+.000}	.121 ^{+0.000} _{-.005}	.073 ^{+0.000} _{-.006}	12.04
PS1800-44A	2-3/16	2-3/4	.274	.284 ±.002	2.190 ±.002	2.749 ^{+0.000} _{-.005}	2.750 ^{+0.002} _{+.000}	.274 ^{+0.000} _{-.005}	.093 ^{+0.000} _{-.006}	12.58
PS1800-48	2-7/16	3	.274	.284 ±.002	2.440 ±.002	2.999 ^{+0.000} _{-.006}	3.000 ^{+0.002} _{+.000}	.274 ^{+0.000} _{-.005}	.093 ^{+0.000} _{-.006}	12.91
PS1800-52	2-11/16	3-1/4	.274	.284 ±.002	2.690 ±.002	3.249 ^{+0.000} _{-.006}	3.250 ^{+0.002} _{+.000}	.274 ^{+0.000} _{-.005}	.093 ^{+0.000} _{-.006}	15.32
PS1800-56	2-15/16	3-1/2	.274	.284 ±.002	2.940 ±.002	3.499 ^{+0.000} _{-.006}	3.500 ^{+0.002} _{+.000}	.274 ^{+0.000} _{-.005}	.093 ^{+0.000} _{-.006}	16.89
PS1800-60	3-3/16	3-3/4	.274	.284 ±.002	3.190 ±.002	3.749 ^{+0.000} _{-.006}	3.750 ^{+0.002} _{+.000}	.274 ^{+0.000} _{-.005}	.093 ^{+0.000} _{-.006}	19.19
PS1800-64	3-7/16	4	.274	.284 ±.002	3.440 ±.002	3.999 ^{+0.000} _{-.006}	4.000 ^{+0.002} _{+.000}	.274 ^{+0.000} _{-.005}	.093 ^{+0.000} _{-.006}	21.33
PS1800-68	3-11/16	4-1/4	.274	.284 ±.002	3.690 ±.002	4.249 ^{+0.000} _{-.006}	4.250 ^{+0.002} _{+.000}	.274 ^{+0.000} _{-.005}	.093 ^{+0.000} _{-.006}	24.63
PS1800-72	3-15/16	4-1/2	.274	.284 ±.002	3.940 ±.002	4.499 ^{+0.000} _{-.006}	4.500 ^{+0.002} _{+.000}	.274 ^{+0.000} _{-.005}	.093 ^{+0.000} _{-.006}	25.85
PS1800-74	4-5/64	4-5/8	.274	.284 ±.002	4.078 ±.002	4.624 ^{+0.000} _{-.007}	4.625 ^{+0.002} _{+.000}	.274 ^{+0.000} _{-.005}	.093 ^{+0.000} _{-.006}	36.78
PS1800-76	4-3/16	4-3/4	.274	.284 ±.002	4.190 ±.002	4.749 ^{+0.000} _{-.006}	4.750 ^{+0.002} _{+.000}	.274 ^{+0.000} _{-.005}	.093 ^{+0.000} _{-.006}	26.65

STYLE PS1800 GLASS FILLED PTFE PISTON SEALS

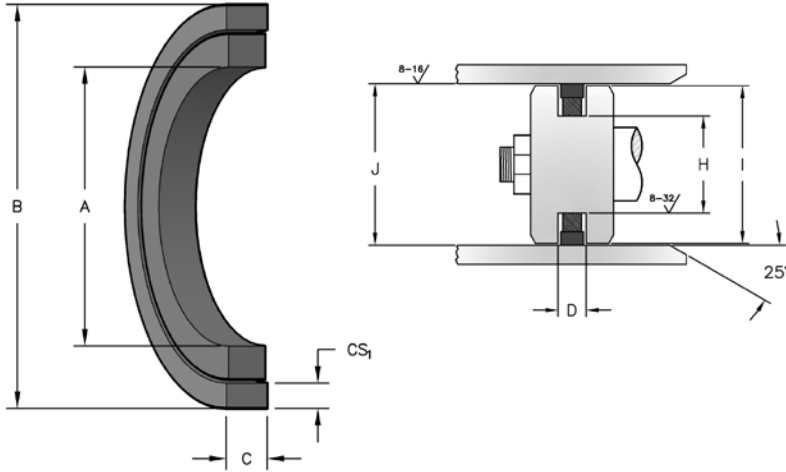
Part Number	A Nom. ID	B Nom. OD	C Nom. Ht	D GROOVE WIDTH	H GROOVE DIAMETER	I PISTON DIAMETER	J BORE DIAMETER	C HEIGHT	CS ₁ RING CROSS SECTION	List Price
PS1800-80	4-7/16	5	.274	.284 ±.002	4.440 ±.002	4.999 ^{+.000} _{-.006}	5.000 ^{+.002} _{+.000}	.274 ^{+.000} _{-.005}	.093 ^{+.000} _{-.006}	27.91
PS1800-84	4-1/2	5-1/4	.367	.379 ±.002	4.488 ±.002	5.249 ^{+.000} _{-.007}	5.250 ^{+.002} _{+.000}	.367 ^{+.000} _{-.005}	.147 ^{+.000} _{-.010}	32.88
PS1800-88	4-3/4	5-1/2	.367	.379 ±.002	4.738 ±.002	5.499 ^{+.000} _{-.007}	5.500 ^{+.002} _{+.000}	.367 ^{+.000} _{-.005}	.147 ^{+.000} _{-.010}	36.77
PS1800-90	4-7/8	5-5/8	.367	.379 ±.002	4.863 ±.002	5.624 ^{+.000} _{-.007}	5.625 ^{+.002} _{+.000}	.367 ^{+.000} _{-.005}	.147 ^{+.000} _{-.010}	45.63
PS1800-92	5	5-3/4	.367	.379 ±.002	4.988 ±.002	5.749 ^{+.000} _{-.007}	5.750 ^{+.002} _{+.000}	.367 ^{+.000} _{-.005}	.147 ^{+.000} _{-.010}	39.71
PS1800-96	5-1/4	6	.367	.379 ±.002	5.238 ±.002	5.999 ^{+.000} _{-.007}	6.000 ^{+.002} _{+.000}	.367 ^{+.000} _{-.005}	.147 ^{+.000} _{-.010}	42.63
PS1800-100	5-1/2	6-1/4	.367	.379 ±.002	5.488 ±.002	6.249 ^{+.000} _{-.007}	6.250 ^{+.002} _{+.000}	.367 ^{+.000} _{-.005}	.147 ^{+.000} _{-.010}	43.05
PS1800-104	5-3/4	6-1/2	.367	.379 ±.002	5.738 ±.002	6.499 ^{+.000} _{-.007}	6.500 ^{+.002} _{+.000}	.367 ^{+.000} _{-.005}	.147 ^{+.000} _{-.010}	43.05
PS1800-112	6-1/4	7	.367	.379 ±.002	6.238 ±.002	6.999 ^{+.000} _{-.007}	7.000 ^{+.002} _{+.000}	.367 ^{+.000} _{-.005}	.147 ^{+.000} _{-.010}	43.82
PS1800-116	6-1/2	7-1/4	.367	.379 ±.002	6.488 ±.002	7.249 ^{+.000} _{-.007}	7.250 ^{+.002} _{+.000}	.367 ^{+.000} _{-.005}	.147 ^{+.000} _{-.010}	47.60
PS1800-120	6-3/4	7-1/2	.367	.379 ±.002	6.738 ±.002	7.499 ^{+.000} _{-.007}	7.500 ^{+.002} _{+.000}	.367 ^{+.000} _{-.005}	.147 ^{+.000} _{-.010}	43.94
PS1800-128	7-1/4	8	.367	.379 ±.002	7.238 ±.002	7.999 ^{+.000} _{-.007}	8.000 ^{+.002} _{+.000}	.367 ^{+.000} _{-.005}	.147 ^{+.000} _{-.010}	48.96
PS1800-132	7-1/2	8-1/4	.367	.379 ±.002	7.488 ±.002	8.249 ^{+.000} _{-.007}	8.250 ^{+.002} _{+.000}	.367 ^{+.000} _{-.005}	.147 ^{+.000} _{-.010}	52.12
PS1800-136	7-3/4	8-1/2	.367	.379 ±.002	7.738 ±.002	8.499 ^{+.000} _{-.007}	8.500 ^{+.002} _{+.000}	.367 ^{+.000} _{-.005}	.147 ^{+.000} _{-.010}	55.38
PS1800-144	8-1/8	9	.367	.379 ±.002	8.122 ±.002	8.999 ^{+.000} _{-.008}	9.000 ^{+.002} _{+.000}	.367 ^{+.000} _{-.005}	.210 ^{+.000} _{-.015}	65.50
PS1800-152	8-5/8	9-1/2	.367	.379 ±.002	8.622 ±.002	9.499 ^{+.000} _{-.008}	9.500 ^{+.002} _{+.000}	.367 ^{+.000} _{-.005}	.210 ^{+.000} _{-.015}	74.55
PS1800-160	9-1/8	10	.367	.379 ±.002	9.122 ±.002	9.999 ^{+.000} _{-.008}	10.000 ^{+.002} _{+.000}	.367 ^{+.000} _{-.005}	.210 ^{+.000} _{-.015}	72.90
PS1800-168	9-5/8	10-1/2	.367	.379 ±.002	9.622 ±.002	10.499 ^{+.000} _{-.008}	10.500 ^{+.002} _{+.000}	.367 ^{+.000} _{-.005}	.210 ^{+.000} _{-.015}	155.51
PS1800-176	10-1/8	11	.367	.379 ±.002	10.122 ±.002	10.999 ^{+.000} _{-.008}	11.000 ^{+.002} _{+.000}	.367 ^{+.000} _{-.005}	.210 ^{+.000} _{-.015}	166.15
PS1800-192	11-1/8	12	.367	.379 ±.002	11.122 ±.002	11.999 ^{+.000} _{-.008}	12.000 ^{+.002} _{+.000}	.367 ^{+.000} _{-.005}	.210 ^{+.000} _{-.015}	172.32
PS1800-208	12-1/8	13	.367	.379 ±.002	12.122 ±.002	12.999 ^{+.000} _{-.008}	13.000 ^{+.002} _{+.000}	.367 ^{+.000} _{-.005}	.210 ^{+.000} _{-.015}	155.54
PS1800-224	13-1/8	14	.367	.379 ±.002	13.122 ±.002	13.999 ^{+.000} _{-.008}	14.000 ^{+.002} _{+.000}	.367 ^{+.000} _{-.005}	.210 ^{+.000} _{-.015}	186.92

INSTALLATION OF PTFE PISTON SEALS

Installing PTFE piston seals is not always an easy task. The use of installation tools is recommended but often not convenient when working with a wide variety of sizes and applications. Finger installations are practical with rings of smaller cross-sections. Using fingers or a rounded plastic stick, knead the ring over the piston into the groove. With rings of larger cross-sections it may be necessary to heat the ring. Warming the ring in water or oil at 130° F or 140° F for about 5 minutes will soften the material for easier installation. Always avoid inconsistent stretching or overstretching of the PTFE seal. To prevent the PTFE ring from snapping into the wrong groove, cover wear ring grooves with plastic tape. After seal installation, assembly of the cylinder may be difficult if the piston seal is loose on the piston or the cylinder has an inadequate leading edge chamfer. In such cases, compress the piston seal with belting or a suitable hose clamp. If the piston seal must pass threads or any other sharp edges during the cylinder assembly, cover the edges with plastic tape or wrap.

STYLE PS1850 BRONZE FILLED PISTON SEALS

The PS1850 piston seal can be used interchangeably with the PS1800 style piston seal. This seal provides improved heat resistance for demanding applications. **NOTE:** Piston diameter "I" dimensions are given for pistons without wear rings.



SEAL INFORMATION	
MATERIAL	BRONZE FILLED PTFE SEALS RUBBER ENERGIZER
TEMPERATURE RANGE	-40° TO +220° F
PRESSURE RANGE	0 TO 5,000 PSI
SPEED	12 FT/SEC
PART NUMBER	(Piston Seal) (Type of Seal) - (Size)

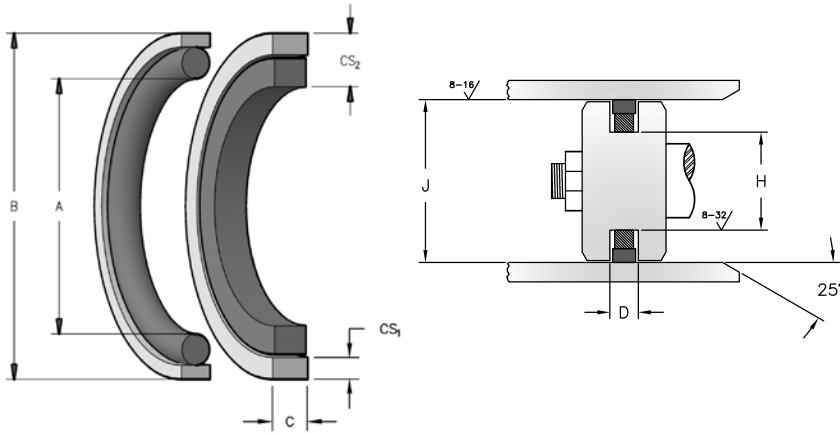
Part Number	A Nom. ID	B Nom. OD	C Nom. Ht	D GROOVE WIDTH	H GROOVE DIAMETER	I PISTON DIAMETER	J BORE DIAMETER	C HEIGHT	CS ₁ RING CROSS SECTION	List Price
PS1850-16	11/16	1	.121	.129 ±.002	.690 ±.002	.999 ^{+.000} _{-.005}	1.000 ^{+.002} _{+.000}	.121 ^{+.000} _{-.005}	.073 ^{+.000} _{-.006}	\$9.74
PS1850-20	15/16	1-1/4	.121	.129 ±.002	.940 ±.002	1.249 ^{+.000} _{-.005}	1.250 ^{+.002} _{+.000}	.121 ^{+.000} _{-.005}	.073 ^{+.000} _{-.006}	9.44
PS1850-24	1-3/16	1-1/2	.121	.129 ±.002	1.190 ±.002	1.499 ^{+.000} _{-.005}	1.500 ^{+.002} _{+.000}	.121 ^{+.000} _{-.005}	.073 ^{+.000} _{-.006}	9.84
PS1850-28	1-7/16	1-3/4	.121	.129 ±.002	1.440 ±.002	1.749 ^{+.000} _{-.005}	1.750 ^{+.002} _{+.000}	.121 ^{+.000} _{-.005}	.073 ^{+.000} _{-.006}	10.61
PS1850-32	1-11/16	2	.121	.129 ±.002	1.690 ±.002	1.999 ^{+.000} _{-.005}	2.000 ^{+.002} _{+.000}	.121 ^{+.000} _{-.005}	.073 ^{+.000} _{-.006}	12.20
PS1850-36	1-15/16	2-1/4	.121	.129 ±.002	1.940 ±.002	2.249 ^{+.000} _{-.005}	2.250 ^{+.002} _{+.000}	.121 ^{+.000} _{-.005}	.073 ^{+.000} _{-.006}	12.51
PS1850-40	2-3/16	2-1/2	.121	.129 ±.002	2.190 ±.002	2.499 ^{+.000} _{-.005}	2.500 ^{+.002} _{+.000}	.121 ^{+.000} _{-.005}	.073 ^{+.000} _{-.006}	13.35
PS1850-44	2-7/16	2-3/4	.121	.129 ±.002	2.440 ±.002	2.749 ^{+.000} _{-.005}	2.750 ^{+.002} _{+.000}	.121 ^{+.000} _{-.005}	.073 ^{+.000} _{-.006}	14.81
PS1850-44A	2-3/16	2-3/4	.274	.284 ±.002	2.190 ±.002	2.749 ^{+.000} _{-.005}	2.750 ^{+.002} _{+.000}	.274 ^{+.000} _{-.005}	.093 ^{+.000} _{-.006}	15.20
PS1850-48	2-7/16	3	.274	.284 ±.002	2.440 ±.002	2.999 ^{+.000} _{-.006}	3.000 ^{+.002} _{+.000}	.274 ^{+.000} _{-.005}	.093 ^{+.000} _{-.006}	15.86
PS1850-52	2-11/16	3-1/4	.274	.284 ±.002	2.690 ±.002	3.249 ^{+.000} _{-.006}	3.250 ^{+.002} _{+.000}	.274 ^{+.000} _{-.005}	.093 ^{+.000} _{-.006}	18.85
PS1850-56	2-15/16	3-1/2	.274	.284 ±.002	2.940 ±.002	3.499 ^{+.000} _{-.006}	3.500 ^{+.002} _{+.000}	.274 ^{+.000} _{-.005}	.093 ^{+.000} _{-.006}	20.77
PS1850-60	3-3/16	3-3/4	.274	.284 ±.002	3.190 ±.002	3.749 ^{+.000} _{-.006}	3.750 ^{+.002} _{+.000}	.274 ^{+.000} _{-.005}	.093 ^{+.000} _{-.006}	23.58
PS1850-64	3-7/16	4	.274	.284 ±.002	3.440 ±.002	3.999 ^{+.000} _{-.006}	4.000 ^{+.002} _{+.000}	.274 ^{+.000} _{-.005}	.093 ^{+.000} _{-.006}	26.21
PS1850-68	3-11/16	4-1/4	.274	.284 ±.002	3.690 ±.002	4.249 ^{+.000} _{-.006}	4.250 ^{+.002} _{+.000}	.274 ^{+.000} _{-.005}	.093 ^{+.000} _{-.006}	30.28
PS1850-72	3-15/16	4-1/2	.274	.284 ±.002	3.940 ±.002	4.499 ^{+.000} _{-.006}	4.500 ^{+.002} _{+.000}	.274 ^{+.000} _{-.005}	.093 ^{+.000} _{-.006}	31.79
PS1850-76	4-3/16	4-3/4	.274	.284 ±.002	4.190 ±.002	4.749 ^{+.000} _{-.006}	4.750 ^{+.002} _{+.000}	.274 ^{+.000} _{-.005}	.093 ^{+.000} _{-.006}	32.75
PS1850-80	4-7/16	5	.274	.284 ±.002	4.440 ±.002	4.999 ^{+.000} _{-.006}	5.000 ^{+.002} _{+.000}	.274 ^{+.000} _{-.005}	.093 ^{+.000} _{-.006}	34.31

STYLE PS1850 BRONZE FILLED PISTON SEALS

Part Number	A Nom. ID	B Nom. OD	C Nom. Ht	D GROOVE WIDTH	H GROOVE DIAMETER	I PISTON DIAMETER	J BORE DIAMETER	C HEIGHT	CS ₁ RING CROSS SECTION	List Price
PS1850-84	4-1/2	5-1/4	.367	.379 ±.002	4.488 ±.002	5.249 ^{+0.00} _{-.007}	5.250 ^{+0.002} _{+0.000}	.367 ^{+0.000} _{-.005}	.147 ^{+0.000} _{-.010}	40.42
PS1850-88	4-3/4	5-1/2	.367	.379 ±.002	4.738 ±.002	5.499 ^{+0.000} _{-.007}	5.500 ^{+0.002} _{+0.000}	.367 ^{+0.000} _{-.005}	.147 ^{+0.000} _{-.010}	45.19
PS1850-92	5	5-3/4	.367	.379 ±.002	4.988 ±.002	5.749 ^{+0.000} _{-.007}	5.750 ^{+0.002} _{+0.000}	.367 ^{+0.000} _{-.005}	.147 ^{+0.000} _{-.010}	48.81
PS1850-96	5-1/4	6	.367	.379 ±.002	5.238 ±.002	5.999 ^{+0.000} _{-.007}	6.000 ^{+0.002} _{+0.000}	.367 ^{+0.000} _{-.005}	.147 ^{+0.000} _{-.010}	52.42
PS1850-104	5-3/4	6-1/2	.367	.379 ±.002	5.738 ±.002	6.499 ^{+0.000} _{-.007}	6.500 ^{+0.002} _{+0.000}	.367 ^{+0.000} _{-.005}	.147 ^{+0.000} _{-.010}	52.91
PS1850-112	6-1/4	7	.367	.379 ±.002	6.238 ±.002	6.999 ^{+0.000} _{-.007}	7.000 ^{+0.002} _{+0.000}	.367 ^{+0.000} _{-.005}	.147 ^{+0.000} _{-.010}	53.87
PS1850-116	6-1/2	7-1/4	.367	.379 ±.002	6.488 ±.002	7.249 ^{+0.000} _{-.007}	7.250 ^{+0.002} _{+0.000}	.367 ^{+0.000} _{-.005}	.147 ^{+0.000} _{-.010}	53.94
PS1850-120	6-3/4	7-1/2	.367	.379 ±.002	6.738 ±.002	7.499 ^{+0.000} _{-.007}	7.500 ^{+0.002} _{+0.000}	.367 ^{+0.000} _{-.005}	.147 ^{+0.000} _{-.010}	54.04
PS1850-124	7	7-3/4	.367	.379 ±.002	6.988 ±.002	7.499 ^{+0.000} _{-.007}	7.750 ^{+0.002} _{+0.000}	.367 ^{+0.000} _{-.005}	.147 ^{+0.000} _{-.010}	58.32
PS1850-128	7-1/4	8	.367	.379 ±.002	7.238 ±.002	7.999 ^{+0.000} _{-.007}	8.000 ^{+0.002} _{+0.000}	.367 ^{+0.000} _{-.005}	.147 ^{+0.000} _{-.010}	61.66
PS1850-132	7-1/2	8-1/4	.367	.379 ±.002	7.488 ±.002	8.249 ^{+0.000} _{-.007}	8.250 ^{+0.002} _{+0.000}	.367 ^{+0.000} _{-.005}	.147 ^{+0.000} _{-.010}	65.93
PS1850-136	7-3/4	8-1/2	.367	.379 ±.002	7.738 ±.002	8.499 ^{+0.000} _{-.007}	8.500 ^{+0.002} _{+0.000}	.367 ^{+0.000} _{-.005}	.147 ^{+0.000} _{-.010}	72.39
PS1850-144	8-1/8	9	.367	.379 ±.002	8.122 ±.002	8.999 ^{+0.000} _{-.008}	9.000 ^{+0.002} _{+0.000}	.367 ^{+0.000} _{-.005}	.210 ^{+0.000} _{-.015}	83.26
PS1850-152	8-5/8	9-1/2	.367	.379 ±.002	8.622 ±.002	9.499 ^{+0.000} _{-.008}	9.500 ^{+0.002} _{+0.000}	.367 ^{+0.000} _{-.005}	.210 ^{+0.000} _{-.015}	105.15
PS1850-160	9-1/8	10	.367	.379 ±.002	9.122 ±.002	9.999 ^{+0.000} _{-.008}	10.000 ^{+0.002} _{+0.000}	.367 ^{+0.000} _{-.005}	.210 ^{+0.000} _{-.015}	115.66
PS1850-176	10-1/8	11	.367	.379 ±.002	10.122 ±.002	10.999 ^{+0.000} _{-.008}	11.000 ^{+0.002} _{+0.000}	.367 ^{+0.000} _{-.005}	.210 ^{+0.000} _{-.015}	204.23
PS1850-192	11-1/8	12	.367	.379 ±.002	11.122 ±.002	11.999 ^{+0.000} _{-.008}	12.000 ^{+0.002} _{+0.000}	.367 ^{+0.000} _{-.005}	.210 ^{+0.000} _{-.015}	211.83
PS1850-208	12-1/8	13	.367	.379 ±.002	12.122 ±.002	12.999 ^{+0.000} _{-.008}	13.000 ^{+0.002} _{+0.000}	.367 ^{+0.000} _{-.005}	.210 ^{+0.000} _{-.015}	219.73
PS1850-224	13-1/8	14	.367	.379 ±.002	13.122 ±.002	13.999 ^{+0.000} _{-.008}	14.000 ^{+0.002} _{+0.000}	.367 ^{+0.000} _{-.005}	.210 ^{+0.000} _{-.015}	238.08

STYLE PS1900 NON-STANDARD PTFE PISTON SEALS

These specifically sized seals are for certain OEM cylinders (primarily Heil & Timberjack). Their use is intended for existing housings where the old seals are dimensionally comparable to the table below. Please call your sales representative if you need additional assistance.

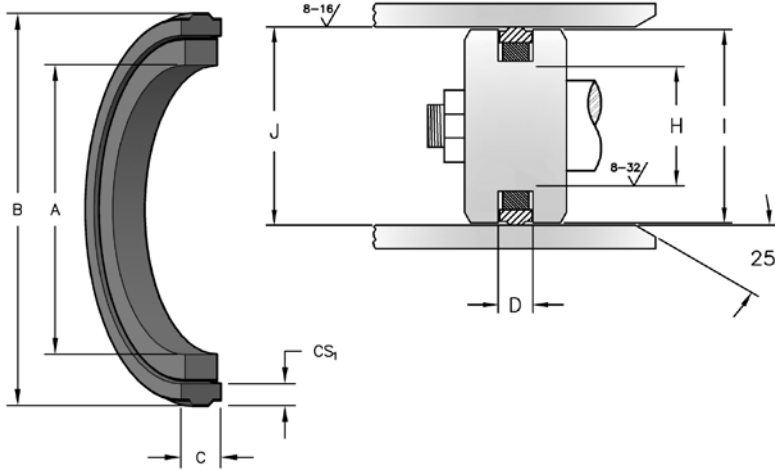


SEAL INFORMATION	
MATERIAL	GLASS FILLED PTFE SEAL RUBBER ENERGIZER
TEMPERATURE RANGE	-40° TO +220° F
PRESSURE RANGE	0 TO 5,000 PSI
SPEED	12 FT/SEC
PART NUMBER	(Piston Seal) (Type of Seal) - (Size)

Part Number	A Nom. ID	B Nom. OD	C Nom. Ht	D GROOVE WIDTH	H GROOVE DIAMETER	J BORE DIAMETER	C HEIGHT	CS ₁ RING CROSS SECTION	CS ₂ TOTAL CROSS SECTION	List Price
PS1900-32	1.649	2	.155	.160 ^{+0.002} / _{+0.000}	1.649 ±.002	2.000 ^{+0.002} / _{+0.000}	.155 ^{+0.002} / _{-.003}	.088 ±.003	.191	\$20.10
PS1900-40	1.951	2-1/2	.245	.255 ^{+0.002} / _{+0.000}	1.951 ±.002	2.500 ^{+0.002} / _{+0.000}	.245	.092	.295	36.63
PS1900-56	2.715	3-1/2	.365	.380 ^{+0.002} / _{+0.000}	2.715 ±.002	3.500 ^{+0.002} / _{+0.000}	.365 ^{+0.002} / _{-.003}	.145 ^{+0.002} / _{-.003}	.420	40.41
PS1900-64A	3.451	4	.31	.320 ^{+0.002} / _{+0.000}	3.451 ±.002	4.000 ^{+0.002} / _{+0.000}	.310	.092	.295	30.59
PS1900-64	3.238	4	.365	.379 ±.002	3.238 ±.002	4.000 ±.002	.365 ±.002	.140 ±.005	.405	44.91
PS1900-72A	3.951	4-1/2	.31	.320 ^{+0.002} / _{+0.000}	3.951 ±.002	4.500 ^{+0.002} / _{+0.000}	.310	.092	.295	28.62
PS1900-72	3.738	4-1/2	.365	.379 ±.002	3.738 ±.002	4.500 ±.002	.365 ±.002	.140 ±.005	.415	52.30
PS1900-76	4.073	4-3/4	.225	.235 ^{+0.002} / _{+0.000}	4.073 ±.002	4.750 ^{+0.002} / _{+0.000}	.225 ^{+0.000} / _{-.006}	.160 ±.003	.370	81.27
PS1900-80A	4.239	5	.365	.370 ^{+0.002} / _{+0.000}	4.239 ±.002	5.000 ^{+0.002} / _{+0.000}	.365 ^{+0.002} / _{-.003}	.142 ±.005	.407	43.81

STYLE PS2700 POLYURETHANE PISTON SEALS

This seal, molded from high grade polyester with 5% glass fiber and 5% PTFE, may retrofit the PS1800 seals, considering all dimensions are comparable. This seal material, with a high degree of memory, stretches over the piston and snaps in the groove for immediate assembly. These seals also feature low friction and high abrasion and extrusion resistance which helps to eliminate assembly damage. Piston diameter "I" dimensions are given for pistons without wear rings.



SEAL INFORMATION	
MATERIAL	GLASS/PTFE FILLED POLYESTER SEAL, RUBBER ENERGIZER
TEMPERATURE RANGE	-40° TO +220° F
PRESSURE RANGE	0 TO 5,000 PSI
SPEED	3 FT/SEC
PART NUMBER	(Piston Seal) (Type of Seal) - (Size)

Part Number	A Nom. ID	B Nom. OD	C Nom. Ht	D GROOVE WIDTH	H GROOVE DIAMETER	I PISTON DIAMETER	J BORE DIAMETER	C HEIGHT	CS ₁ RING CROSS SECTION	List Price
PS2700-16	.691	1	.119	.129 ±.002	.691 ±.001	.999 ^{+.000} _{-.009}	1.000 ^{+.002} _{+.000}	.119 ^{+.002} _{-.003}	.070 ±.003	\$5.53
PS2700-20	.941	1-1/4	.119	.129 ±.002	.941 ±.002	1.249 ^{+.000} _{-.009}	1.250 ^{+.002} _{+.000}	.119 ^{+.002} _{-.003}	.070 ±.003	5.53
PS2700-24	1.191	1-1/2	.119	.129 ±.002	1.191 ±.002	1.499 ^{+.000} _{-.009}	1.500 ^{+.002} _{+.000}	.119 ^{+.002} _{-.003}	.070 ±.003	5.79
PS2700-28	1.441	1-3/4	.119	.129 ±.002	1.441 ±.002	1.749 ^{+.000} _{-.009}	1.750 ^{+.002} _{+.000}	.119 ^{+.002} _{-.003}	.070 ±.003	5.79
PS2700-32	1.691	2	.119	.129 ±.002	1.691 ±.002	1.999 ^{+.000} _{-.009}	2.000 ^{+.003} _{+.000}	.119 ^{+.002} _{-.003}	.070 ±.003	6.24
PS2700-36	1.941	2-1/4	.119	.129 ±.002	1.941 ±.002	2.249 ^{+.000} _{-.009}	2.250 ^{+.003} _{+.000}	.119 ^{+.002} _{-.003}	.070 ±.003	6.58
PS2700-40	2.191	2-1/2	.119	.129 ±.002	2.191 ±.002	2.499 ^{+.000} _{-.009}	2.500 ^{+.003} _{+.000}	.119 ^{+.002} _{-.003}	.070 ±.003	6.87
PS2700-40A	1.962	2-1/2	.272	.284 ±.002	1.962 ±.002	2.499 ^{+.000} _{-.009}	2.500 ^{+.003} _{+.000}	.272 ^{+.002} _{-.003}	.090 ±.003	9.86
PS2700-44	2.441	2-3/4	.119	.129 ±.002	2.441 ±.002	2.749 ^{+.000} _{-.009}	2.750 ^{+.003} _{+.000}	.119 ^{+.002} _{-.003}	.070 ±.003	7.06
PS2700-48	2.462	3	.272	.283 ±.003	2.462 ±.002	2.999 ^{+.000} _{-.014}	3.000 ^{+.003} _{+.000}	.272 ^{+.002} _{-.003}	.090 ±.003	8.69
PS2700-52	2.712	3-1/4	.272	.283 ±.003	2.712 ±.002	3.249 ^{+.000} _{-.014}	3.250 ^{+.003} _{+.000}	.272 ^{+.002} _{-.003}	.090 ±.003	10.31
PS2700-56	2.962	3-1/2	.272	.283 ±.003	2.962 ±.002	3.499 ^{+.000} _{-.014}	3.500 ^{+.003} _{+.000}	.272 ^{+.002} _{-.003}	.090 ±.003	10.47
PS2700-60	3.212	3-3/4	.272	.283 ±.003	3.212 ±.003	3.749 ^{+.000} _{-.014}	3.750 ^{+.003} _{+.000}	.272 ^{+.002} _{-.003}	.090 ±.003	10.61
PS2700-64	3.462	4	.272	.283 ±.003	3.462 ±.003	3.999 ^{+.000} _{-.014}	4.000 ^{+.003} _{+.000}	.272 ^{+.002} _{-.003}	.090 ±.003	10.85
PS2700-68	3.712	4-1/4	.272	.283 ±.003	3.712 ±.003	4.249 ^{+.000} _{-.014}	4.250 ^{+.003} _{+.000}	.272 ^{+.002} _{-.003}	.090 ±.003	10.92
PS2700-72	3.962	4-1/2	.272	.283 ±.003	3.962 ±.003	4.499 ^{+.000} _{-.014}	4.500 ^{+.003} _{+.000}	.272 ^{+.002} _{-.003}	.090 ±.003	11.28
PS2700-76	4.212	4-3/4	.272	.283 ±.003	4.212 ±.003	4.749 ^{+.000} _{-.014}	4.750 ^{+.004} _{+.000}	.272 ^{+.002} _{-.003}	.090 ±.003	11.68
PS2700-80	4.462	5	.272	.283 ±.003	4.462 ±.003	4.999 ^{+.000} _{-.014}	5.000 ^{+.004} _{+.000}	.272 ^{+.002} _{-.003}	.090 ±.003	13.41

STYLE PS2700 POLYURETHANE PISTON SEALS

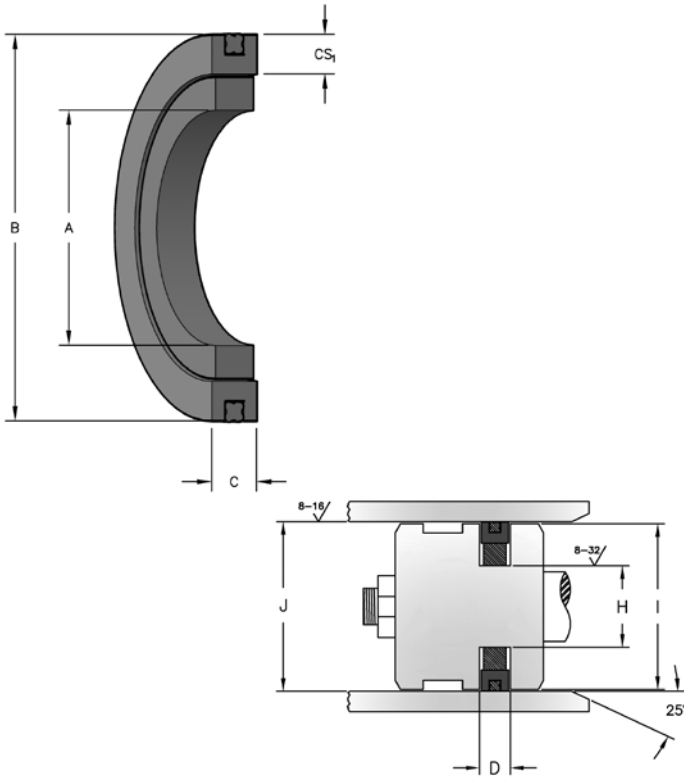


Part Number	A Nom. ID	B Nom. OD	C Nom. Ht	D GROOVE WIDTH	H GROOVE DIAMETER	I PISTON DIAMETER	J BORE DIAMETER	C HEIGHT	CS ₁ RING CROSS SECTION	List Price
PS2700-84	4.504	5-1/4	.365	.378 ±.004	4.504 ±.003	5.249 ^{+0.000} _{-.014}	5.250 ^{+0.004} _{+0.000}	.365 ^{+0.002} _{-.003}	.142 ±.005	18.71
PS2700-88	4.754	5-1/2	.365	.378 ±.004	4.754 ±.003	5.499 ^{+0.000} _{-.014}	5.500 ^{+0.004} _{+0.000}	.365 ^{+0.002} _{-.003}	.142 ±.005	18.87
PS2700-96	5.254	6	.365	.378 ±.004	5.254 ±.003	5.999 ^{+0.000} _{-.014}	6.000 ^{+0.004} _{+0.000}	.365 ^{+0.002} _{-.003}	.142 ±.005	19.72
PS2700-100	5.504	6-1/4	.365	.378 ±.004	5.504 ±.003	6.249 ^{+0.000} _{-.014}	6.250 ^{+0.004} _{+0.000}	.365 ^{+0.002} _{-.003}	.142 ±.005	20.31
PS2700-104	5.754	6-1/2	.365	.378 ±.004	5.754 ±.003	6.499 ^{+0.000} _{-.014}	6.500 ^{+0.004} _{+0.000}	.365 ^{+0.002} _{-.003}	.142 ±.005	20.33
PS2700-112	6-1/4	7	.365	.378 ±.004	6.250 ±.003	6.999 ^{+0.000} _{-.014}	7.000 ^{+0.004} _{+0.000}	.365 ^{+0.002} _{-.003}	.142 ±.005	20.64
PS2700-116	6.504	7-1/4	.365	.378 ±.004	6.504 ±.003	7.249 ^{+0.000} _{-.014}	7.250 ^{+0.005} _{+0.000}	.365 ^{+0.002} _{-.003}	.142 ±.005	21.22
PS2700-128	7.254	8	.365	.378 ±.004	7.254 ±.004	7.999 ^{+0.000} _{-.014}	8.000 ^{+0.005} _{+0.000}	.365 ^{+0.002} _{-.003}	.142 ±.005	21.71
PS2700-136	7.754	8-1/2	.365	.378 ±.004	7.754 ±.004	8.499 ^{+0.000} _{-.014}	8.500 ^{+0.005} _{+0.000}	.365 ^{+0.002} _{-.003}	.142 ±.005	24.74
PS2700-144	8.137	9	.365	.378 ±.004	8.137 ±.004	8.999 ^{+0.000} _{-.014}	9.000 ^{+0.005} _{+0.000}	.365 ^{+0.002} _{-.003}	.203 ^{+0.007} _{-.008}	50.63
PS2700-160	9.137	10	.365	.378 ±.004	9.137 ±.004	9.999 ^{+0.000} _{-.014}	10.000 ^{+0.005} _{+0.000}	.365 ^{+0.002} _{-.003}	.203 ^{+0.007} _{-.008}	59.79

STYLE PSQ BRONZE FILLED PISTON SEALS

These piston seals provide bi-directional, low friction sealing with increased stability and superior leakage control. The square cut energizer provides low pressure sealing and eliminates backside leakage. This seal also effectively seals between different fluids on each side of the piston seal, making gas/liquid sealing combinations possible.

NOTE: Piston diameter "I" dimensions are given for pistons without wear rings.



SEAL INFORMATION	
MATERIAL	40% BRONZE FILLED PTFE SEAL RUBBER ENERGIZER AND QUAD® RING
TEMPERATURE RANGE	-40° TO +250° F
PRESSURE RANGE	0 TO 5,000 PSI
SPEED	6 FT/SEC
PART NUMBER	(PISTON SEAL) - (SIZE)

MAXIMUM EXTRUSION GAP			
PRESSURE	1000 PSI	3000 PSI	5000 PSI
MAX DIAM. GAP BORE 1-1/2" - 5"	0.024"	0.008"	0.005"
MAX DIAM. GAP BORE 6" - 10"	0.030"	0.010"	0.006"

Part Number	A Nom. ID	B Nom. OD	C Nom. Ht	C WIDTH	D GROOVE WIDTH	H GROOVE DIAMETER	I PISTON DIAMETER	J BORE DIAMETER	CS ₁ RING CROSS SECTION	List Price
PSQ-24	.884	1-1/2	.271	.270 ±.005	.288 +.005 +.000	.884 +.000 -.003	1.499 +.000 -.002	1.500 +.002 +.000	.130 ±.005	\$39.93
PSQ-32	1.384	2	.271	.270 ±.005	.288 +.005 +.000	1.384 +.000 -.003	1.999 +.000 -.002	2.000 +.002 +.000	.130 ±.005	51.93
PSQ-36	1.634	2-1/4	.271	.270 ±.005	.288 +.005 +.000	1.634 +.000 -.003	2.249 +.000 -.002	2.250 +.002 +.000	.130 ±.005	53.73
PSQ-40	1.884	2-1/2	.271	.270 ±.005	.288 +.005 +.000	1.884 +.000 -.003	2.499 +.000 -.002	2.500 +.002 +.000	.130 ±.005	56.61
PSQ-44	2.134	2-3/4	.271	.270 ±.005	.288 +.005 +.000	2.134 +.000 -.003	2.749 +.000 -.002	2.750 +.002 +.000	.130 ±.005	58.85
PSQ-48	2.384	3	.271	.270 ±.005	.288 +.005 +.000	2.384 +.000 -.003	2.999 +.000 -.002	3.000 +.002 +.000	.130 ±.005	61.10
PSQ-52	2.634	3-1/4	.271	.270 ±.005	.288 +.005 +.000	2.634 +.000 -.003	3.249 +.000 -.002	3.250 +.002 +.000	.130 ±.005	64.57
PSQ-56	2.884	3-1/2	.271	.270 ±.005	.288 +.005 +.000	2.884 +.000 -.003	3.499 +.000 -.002	3.500 +.002 +.000	.130 ±.005	65.88
PSQ-64	3.384	4	.271	.270 ±.005	.288 +.005 +.000	3.384 +.000 -.003	3.999 +.000 -.002	4.000 +.002 +.000	.130 ±.005	66.11
PSQ-72	3.884	4-1/2	.271	.270 ±.005	.288 +.005 +.000	3.884 +.000 -.003	4.499 +.000 -.002	4.500 +.002 +.000	.130 ±.005	75.12
PSQ-80	4.384	5	.271	.270 ±.005	.288 +.005 +.000	4.384 +.000 -.006	4.998 +.000 -.004	5.000 +.004 +.000	.130 ±.005	81.37
PSQ-88	4.66	5-1/2	.362	.362 ±.005	.375 +.005 +.000	4.660 +.000 -.006	5.498 +.000 -.004	5.500 +.004 +.000	.195 ±.005	99.09
PSQ-96	5.16	6	.362	.362 ±.005	.375 +.005 +.000	5.160 +.000 -.006	5.998 +.000 -.004	6.000 +.004 +.000	.195 ±.005	106.68

STYLE PSQ BRONZE FILLED PISTON SEALS

Part Number	A Nom. ID	B Nom. OD	C Nom. Ht	C WIDTH	D GROOVE WIDTH	H GROOVE DIAMETER	I PISTON DIAMETER	J BORE DIAMETER	CS ₁ RING CROSS SECTION	List Price
PSQ-104	5.66	6-1/2	.362	.362 ±.005	.375 ^{+.005} / _{+.000}	5.660 ^{+.000} / _{-.006}	6.498 ^{+.000} / _{-.004}	6.500 ^{+.004} / _{+.000}	.195 ±.005	129.65
PSQ-112	6.16	7	.362	.362 ±.005	.375 ^{+.005} / _{+.000}	6.160 ^{+.000} / _{-.006}	6.998 ^{+.000} / _{-.004}	7.000 ^{+.004} / _{+.000}	.195 ±.005	114.97
PSQ-128	7.16	8	.362	.362 ±.005	.375 ^{+.005} / _{+.000}	7.160 ^{+.000} / _{-.006}	7.998 ^{+.000} / _{-.004}	8.000 ^{+.004} / _{+.000}	.195 ±.005	126.14
PSQ-144	8.16	9	.362	.352	.375 ^{+.005} / _{+.000}	8.160 ^{+.000} / _{-.006}	8.998 ^{+.000} / _{-.004}	9.000 ^{+.004} / _{+.000}		86.24
PSQ-160	9.16	10	.362	.362 ±.005	.375 ^{+.005} / _{+.000}	9.160 ^{+.000} / _{-.006}	9.998 ^{+.000} / _{-.004}	10.000 ^{+.004} / _{+.000}	.195 ±.005	147.30



MAXX Offers a Complete Line of Cylinder Repair Parts for Mobile and Industrial Applications

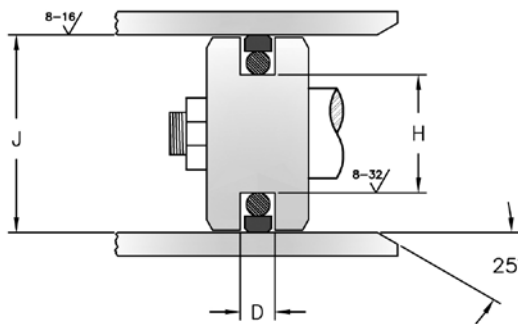
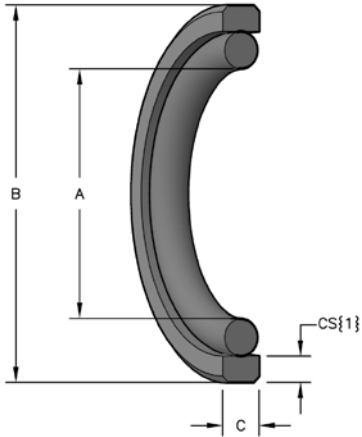
Stock Includes Cylinder Glands, Caps, Heads and Pistons.

View the Complete Inventory in the Cylinder and Parts portion of this website.

Seal color may vary.

STYLE PS2470 BRONZE FILLED PTFE PISTON SEALS

Molded from a PTFE base material with 40% bronze and machined to exacting tolerances, this seal exhibits low friction and high strength corners are chamfered for cold flow resistance.



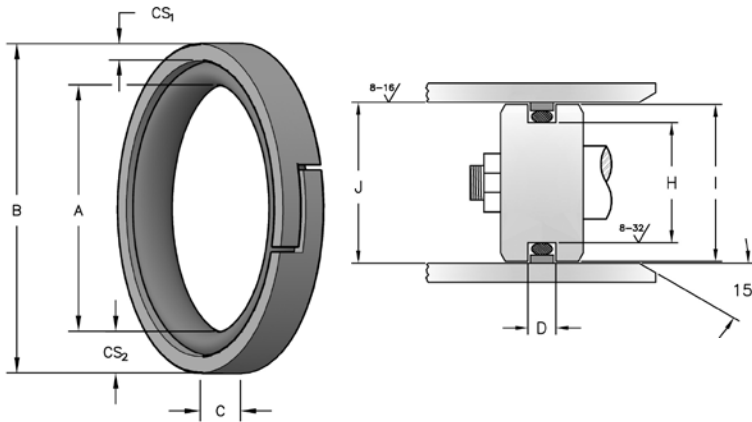
SEAL INFORMATION	
MATERIAL	40% BRONZE FILLE PTFE RUBBER ENERGIZER
TEMPERATURE RANGE	-40° TO +220° F
PRESSURE RANGE	0 TO 5,000
SPEED	12 FT/SEC
PART NUMBER	(Piston Seal) (Type of Seal)-(Size)

Part Number	A Nom. ID	B Nom. OD	C Nom. Ht	D GROOVE WIDTH	H GROOVE DIAMETER	J BORE DIAMETER	C HEIGHT	CS ₁ RING CROSS SECTION	List Price
PS2472-32	1-9/16	2	.15	.168 ±.002	1.576 ±.002	2.000	.150	.100	\$15.61
PS2472-40	2-1/16	2-1/2	.15	.168 ±.002	2.076 ±.002	2.500	.150	.100	16.53
PS2472-44	2-5/16	2-3/4	.15	.168 ±.002	2.326 ±.002	2.750	.150	.100	22.69
PS2472-48	2-9/16	3	.15	.168 ±.002	2.576 ±.002	3.000	.150	.100	18.28
PS2473-52	2-5/8	3-1/4	.225	.249 ±.002	2.634 ±.003	3.250	.225	.140	29.19
PS2473-56	2-7/8	3-1/2	.225	.249 ±.002	2.884 ±.003	3.500	.225	.140	30.05
PS2473-64	3-3/8	4	.225	.249 ±.002	3.384 ±.003	4.000	.225	.140	33.19
PS2473-68	3-5/8	4-1/4	.225	.249 ±.002	3.634 ±.003	4.250	.225	.145	31.53
PS2473-72	3-7/8	4-1/2	.225	.249 ±.002	3.884 ±.003	4.500	.225	.140	38.65
PS2473-80	4-3/8	5	.225	.249 ±.002	4.384 ±.003	5.000	.225	.140	39.48
PS2474-88	4-21/32	5-1/2	.29	.322 ±.002	4.670 ±.004	5.500	.290	.195	51.93
PS2473-96	5-3/8	6	.225	.249 ±.002	5.384 ±.004	6.000	.225	.140	47.72
PS2474-96	5-5/32	6	.29	.322 ±.002	5.170 ±.004	6.000	.290	.195	59.43
PS2474-104	5-21/32	6-1/2	.29	.322 ±.002	5.670 ±.004	6.500	.290	.195	60.94
PS2474-112	6-5/32	7	.29	.322 ±.002	6.170 ±.004	7.000	.290	.195	63.65
PS2474-120	6-21/32	7-1/2	.29	.322 ±.002	6.670 ±.004	7.500	.290	.195	69.10
PS2474-128	7-5/32	8	.29	.322 ±.002	7.170 ±.004	8.000	.290	.195	72.33
PS2474-152	8-21/32	9-1/2	.29	.322 ±.002	8.670 ±.004	9.500	.290	.195	85.71
PS2474-160	9-5/32	10	.29	.322 ±.002	9.170 ±.004	10.000	.290	.195	121.50

STYLE PS914 NYLON STEP CUT PISTON SEALS



NOTE: Piston diameter "I" dimensions are given for pistons without wear rings.



SEAL INFORMATION	
MATERIAL	GLASS FILLED NYLON SEAL RUBBER ENERGIZER
TEMPERATURE RANGE	-40° TO +220°
PRESSURE RANGE	0 TO 6,000 PSI
SPEED	3 FT/SEC
PART NUMBER	(Piston Seal) (Type of Seal)-(Size)- (Groove Width)

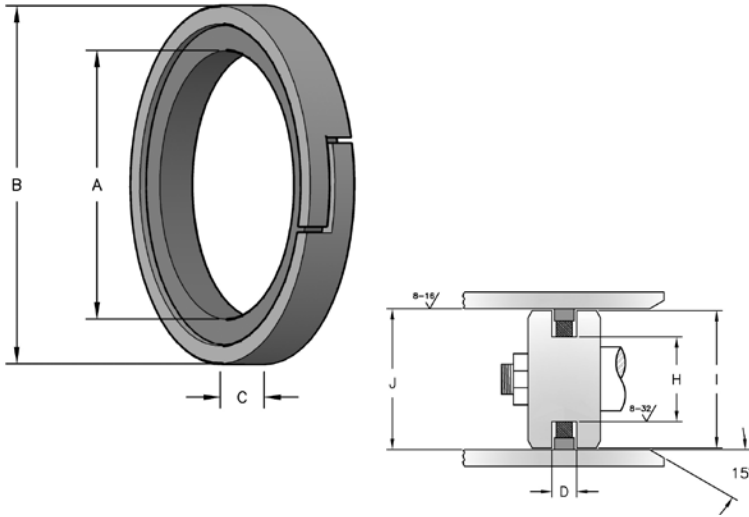
Part Number	A Nom. ID	B Nom. OD	C Nom. Ht	D GROOVE WIDTH	H GROOVE DIAMETER	I PISTON DIAMETER	J BORE DIAMETER	C HEIGHT	CS ₁ RING CROSS SECTION	CS ₂ TOTAL CROSS SECTION	List Price
PS914-2000-282	1.462	2	9/32	.282 +0.005 +0.000	1.462 +0.000 -0.005	1.999 +0.000 -0.065	2.000 +0.005 +0.000	.274	.104	.302	\$52.36
PS914-2250-282	1.712	2-1/4	9/32	.282 +0.005 +0.000	1.712 +0.000 -0.005	2.249 +0.000 -0.065	2.250 +0.005 +0.000	.274	.104	.302	54.05
PS914-2500-282	1.962	2-1/2	9/32	.282 +0.005 +0.000	1.962 +0.000 -0.005	2.499 +0.000 -0.065	2.500 +0.005 +0.000	.274	.104	.302	54.82
PS914-2500-312	1.908	2-1/2	5/16	.312 +0.005 +0.000	1.908 +0.000 -0.005	2.499 +0.000 -0.065	2.500 +0.005 +0.000	.304	.104	.334	63.55
PS914-2750-282	2.212	2-3/4	9/32	.282 +0.005 +0.000	2.212 +0.000 -0.005	2.749 +0.000 -0.065	2.750 +0.005 +0.000	.274	.104	.302	56.22
PS914-3000-282	2.442	3	9/32	.282 +0.005 +0.000	2.442 +0.000 -0.005	2.999 +0.000 -0.080	3.000 +0.005 +0.000	.274	.104	.314	65.85
PS914-3000-312	2.408	3	5/16	.312 +0.005 +0.000	2.408 +0.000 -0.005	2.999 +0.000 -0.080	3.000 +0.005 +0.000	.304	.104	.334	64.32
PS914-3500-282	2.942	3-1/2	9/32	.282 +0.005 +0.000	2.942 +0.000 -0.005	3.499 +0.000 -0.080	3.500 +0.005 +0.000	.274	.104	.314	76.15
PS914-3500-312	2.908	3-1/2	5/16	.312 +0.005 +0.000	2.908 +0.000 -0.005	3.499 +0.000 -0.080	3.500 +0.005 +0.000	.304	.104	.334	78.19
PS914-4000-282	3.442	4	9/32	.282 +0.005 +0.000	3.442 +0.000 -0.005	3.999 +0.000 -0.080	4.000 +0.005 +0.000	.274	.104	.314	77.78
PS914-4000-312	3.408	4	5/16	.312 +0.005 +0.000	3.408 +0.000 -0.005	3.999 +0.000 -0.080	4.000 +0.005 +0.000	.304	.104	.334	81.81
PS914-4250-282	3.692	4-1/4	9/32	.282 +0.005 +0.000	3.692 +0.000 -0.005	4.249 +0.000 -0.080	4.250 +0.005 +0.000	.274	.104	.314	66.28
PS914-4265-282	3.707	4.265	9/32	.282 +0.005 +0.000	3.707 +0.000 -0.005	4.264 +0.000 -0.080	4.265 +0.005 +0.000	.274	.104	.314	68.08
PS914-4500-282	3.942	4-1/2	9/32	.282 +0.005 +0.000	3.942 +0.000 -0.005	4.499 +0.000 -0.080	4.500 +0.005 +0.000	.274	.104	.314	88.24
PS914-4500-312	3.908	4-1/2	5/16	.312 +0.005 +0.000	3.908 +0.000 -0.005	4.499 +0.000 -0.080	4.500 +0.005 +0.000	.304	.104	.334	87.34
PS914-4750-282	4.192	4-3/4	9/32	.282 +0.005 +0.000	4.192 +0.000 -0.005	4.749 +0.000 -0.080	4.750 +0.005 +0.000	.274	.104	.314	85.87
PS914-5000-282	4.442	5	9/32	.282 +0.005 +0.000	4.442 +0.000 -0.005	4.999 +0.000 -0.080	5.000 +0.005 +0.000	.274	.104	.314	86.20
PS914-5000-375	4.24	5	3/8	.377 +0.005 +0.000	4.240 +0.000 -0.005	4.999 +0.000 -0.080	5.000 +0.005 +0.000	.368	.300	.600	102.74
PS914-5250-282	4.692	5-1/4	9/32	.282 +0.005 +0.000	4.692 +0.000 -0.005	5.249 +0.000 -0.080	5.250 +0.005 +0.000	.274	.104	.314	99.18
PS914-5250-375	4.49	5-1/4	3/8	.377 +0.005 +0.000	4.490 +0.000 -0.005	5.249 +0.000 -0.100	5.250 +0.005 +0.000	.368	.300	.600	102.74

STYLE PS914 NYLON STEP CUT PISTON SEALS

Part Number	A Nom. ID	B Nom. OD	C Nom. Ht	D GROOVE WIDTH	H GROOVE DIAMETER	I PISTON DIAMETER	J BORE DIAMETER	C HEIGHT	CS ₁ RING CROSS SECTION	CS ₂ TOTAL CROSS SECTION	List Price
PS914-5500-375	4.74	5-1/2	3/8	.377 ^{+0.005} / _{+0.000}	4.740 ^{+0.000} / _{-0.005}	5.499 ^{+0.000} / _{-0.100}	5.500 ^{+0.005} / _{+0.000}	.368	.300	.600	102.74
PS914-6000-375	5.24	6	3/8	.377 ^{+0.005} / _{+0.000}	5.240 ^{+0.000} / _{-0.005}	5.999 ^{+0.000} / _{-0.100}	6.000 ^{+0.005} / _{+0.000}	.368	.300	.600	108.99
PS914-6500-375	5.74	6-1/2	3/8	.377 ^{+0.005} / _{+0.000}	5.740 ^{+0.000} / _{-0.005}	6.499 ^{+0.000} / _{-0.100}	6.500 ^{+0.005} / _{+0.000}	.368	.300	.600	109.84
PS914-7000-375	6.24	7	3/8	.377 ^{+0.005} / _{+0.000}	6.240 ^{+0.000} / _{-0.005}	6.999 ^{+0.000} / _{-0.100}	7.000 ^{+0.005} / _{+0.000}	.368	.300	.600	110.34
PS914-7500-375	6.74	7-1/2	3/8	.377 ^{+0.005} / _{+0.000}	6.740 ^{+0.000} / _{-0.005}	7.499 ^{+0.000} / _{-0.100}	7.500 ^{+0.005} / _{+0.000}	.368	.300	.600	112.53
PS914-8000-375	7.24	8	3/8	.377 ^{+0.005} / _{+0.000}	7.240 ^{+0.000} / _{-0.005}	7.999 ^{+0.000} / _{-0.100}	8.000 ^{+0.005} / _{+0.000}	.368	.300	.600	113.72
PS914-8500-375	7.74	8-1/2	3/8	.377 ^{+0.005} / _{+0.000}	7.740 ^{+0.000} / _{-0.005}	8.499 ^{+0.000} / _{-0.100}	8.500 ^{+0.005} / _{+0.000}	.368	.300	.600	115.09
PS914-9000-375	8.124	9	3/8	.377 ^{+0.005} / _{+0.000}	8.124 ^{+0.000} / _{-0.005}	8.999 ^{+0.000} / _{-0.100}	9.000 ^{+0.005} / _{+0.000}	.368	.292	.584	202.87
PS914-9500-375	8.624	9-1/2	3/8	.377 ^{+0.005} / _{+0.000}	8.624 ^{+0.000} / _{-0.005}	9.499 ^{+0.000} / _{-0.100}	9.500 ^{+0.005} / _{+0.000}	.368	.292	.584	220.98
PS914-10000-375	9.124	10	3/8	.377 ^{+0.005} / _{+0.000}	9.124 ^{+0.000} / _{-0.005}	9.999 ^{+0.000} / _{-0.100}	10.000 ^{+0.005} / _{+0.000}	.368	.292	.584	253.88

STYLE PS2000 NYLON STEP CUT PISTON SEALS

Some PS2000 piston seals utilize a round instead of a square energizer. Also, piston diameter "I" dimensions are given for pistons without wear rings. Many sizes shown are completely interchangeable with style PS914 piston seals.



SEAL INFORMATION	
MATERIAL	GLASS FILLED NYLON SEAL RUBBER ENERGIZER
TEMPERATURE RANGE	-40° TO +220°
PRESSURE RANGE	0 TO 5,000 PSI
SPEED	3 FT/SEC
PART NUMBER	(Piston Seal) (Type of Seal)-(Size)- (Groove Width)

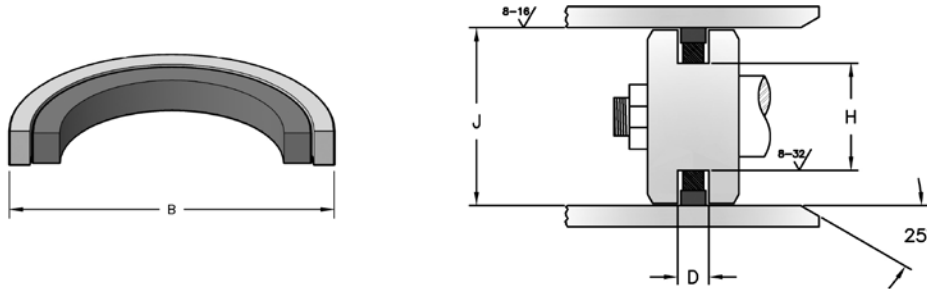
Part Number	A Nom. ID	B Nom. OD	C Nom. Ht	D GROOVE WIDTH	H GROOVE DIAMETER	I PISTON DIAMETER	J BORE DIAMETER	List Price
PS2027-28	1.155	1-3/4	.274	.282 ^{+0.005} / _{+0.000}	1.155 ^{+0.000} / _{-0.005}	1.749 ^{+0.000} / _{-0.052}	1.750 ^{+0.005} / _{+0.000}	\$ 12.05
PS2027-32	1.462	2	.274	.282 ^{+0.005} / _{+0.000}	1.462 ^{+0.000} / _{-0.005}	1.999 ^{+0.000} / _{-0.065}	2.000 ^{+0.005} / _{+0.000}	18.61
PS2027-36	1.712	2-1/4	.274	.282 ^{+0.005} / _{+0.000}	1.712 ^{+0.000} / _{-0.005}	2.249 ^{+0.000} / _{-0.065}	2.250 ^{+0.005} / _{+0.000}	19.80
PS2027-40	1.962	2-1/2	.274	.282 ^{+0.005} / _{+0.000}	1.962 ^{+0.000} / _{-0.005}	2.499 ^{+0.000} / _{-0.065}	2.500 ^{+0.005} / _{+0.000}	22.34
PS2031-48	2.408	3	.305	.312 ^{+0.005} / _{+0.000}	2.408 ^{+0.000} / _{-0.005}	2.999 ^{+0.000} / _{-0.080}	3.000 ^{+0.005} / _{+0.000}	23.54
PS2027-48	2.462	3.04	.274	.282 ^{+0.005} / _{+0.000}	2.462 ^{+0.000} / _{-0.005}	3.039 ^{+0.000} / _{-0.080}	3.040 ^{+0.005} / _{+0.000}	21.81
PS2027-52	2.712	3-1/4	.274	.282 ^{+0.005} / _{+0.000}	2.712 ^{+0.000} / _{-0.005}	3.249 ^{+0.000} / _{-0.080}	3.250 ^{+0.005} / _{+0.000}	24.05
PS2027-56	2.942	3-1/2	.274	.282 ^{+0.005} / _{+0.000}	2.942 ^{+0.000} / _{-0.005}	3.499 ^{+0.000} / _{-0.080}	3.500 ^{+0.005} / _{+0.000}	23.36
PS2031-56	2.908	3-1/2	.305	.312 ^{+0.005} / _{+0.000}	2.908 ^{+0.000} / _{-0.005}	3.499 ^{+0.000} / _{-0.080}	3.500 ^{+0.005} / _{+0.000}	25.77
PS2037-56	2.74	3-1/2	.368	.375 ^{+0.005} / _{+0.000}	2.740 ^{+0.000} / _{-0.005}	3.499 ^{+0.000} / _{-0.080}	3.500 ^{+0.005} / _{+0.000}	25.77
PS2027-64	3.462	4	.274	.282 ^{+0.005} / _{+0.000}	3.462 ^{+0.000} / _{-0.005}	3.999 ^{+0.000} / _{-0.080}	4.000 ^{+0.005} / _{+0.000}	25.07
PS2031-64	3.408	4	.305	.312 ^{+0.005} / _{+0.000}	3.408 ^{+0.000} / _{-0.005}	3.999 ^{+0.000} / _{-0.080}	4.000 ^{+0.005} / _{+0.000}	27.30
PS2027-72	3.962	4-1/2	.274	.282 ^{+0.005} / _{+0.000}	3.962 ^{+0.000} / _{-0.005}	4.499 ^{+0.000} / _{-0.080}	4.500 ^{+0.005} / _{+0.000}	26.60
PS2031-72	3.908	4-1/2	.305	.312 ^{+0.005} / _{+0.000}	3.908 ^{+0.000} / _{-0.005}	4.499 ^{+0.000} / _{-0.080}	4.500 ^{+0.005} / _{+0.000}	34.08
PS2031-80	4.408	5	.305	.312 ^{+0.005} / _{+0.000}	4.408 ^{+0.000} / _{-0.005}	4.999 ^{+0.000} / _{-0.080}	5.000 ^{+0.005} / _{+0.000}	36.14
PS2037-80	4.24	5	.368	.375 ^{+0.005} / _{+0.000}	4.240 ^{+0.000} / _{-0.005}	4.999 ^{+0.000} / _{-0.080}	5.000 ^{+0.005} / _{+0.000}	36.14
PS2031-88	4.908	5-1/2	.305	.312 ^{+0.005} / _{+0.000}	4.908 ^{+0.000} / _{-0.005}	5.499 ^{+0.000} / _{-0.100}	5.500 ^{+0.005} / _{+0.000}	39.25
PS2037-88	4.74	5-1/2	.368	.375 ^{+0.005} / _{+0.000}	4.740 ^{+0.000} / _{-0.005}	5.499 ^{+0.000} / _{-0.100}	5.500 ^{+0.005} / _{+0.000}	39.25
PS2037-96	5.24	6	.368	.375 ^{+0.005} / _{+0.000}	5.240 ^{+0.000} / _{-0.005}	5.999 ^{+0.000} / _{-0.100}	6.000 ^{+0.005} / _{+0.000}	33.43

STYLE PS2000 NYLON STEP CUT PISTON SEALS

Part Number	A Nom. ID	B Nom. OD	C Nom. Ht	D GROOVE WIDTH	H GROOVE DIAMETER	I PISTON DIAMETER	J BORE DIAMETER	List Price
PS2037-100	5.49	6-1/4	.368	.375 ^{+0.005} / _{+0.000}	5.490 ^{+0.000} / _{-0.005}	6.249 ^{+0.000} / _{-.100}	6.250 ^{+0.005} / _{+0.000}	139.05
PS2037-104	5.74	6-1/2	.368	.375 ^{+0.005} / _{+0.000}	5.740 ^{+0.000} / _{-.005}	6.499 ^{+0.000} / _{-.100}	6.500 ^{+0.005} / _{+0.000}	63.15
PS2037-112	6.24	7	.368	.375 ^{+0.005} / _{+0.000}	6.240 ^{+0.000} / _{-.005}	6.999 ^{+0.000} / _{-.100}	7.000 ^{+0.005} / _{+0.000}	82.63

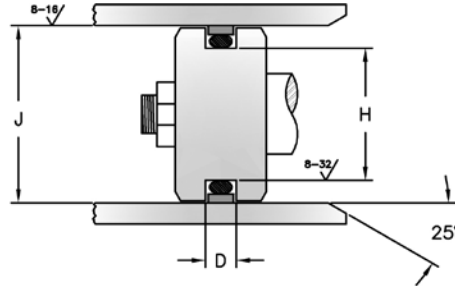
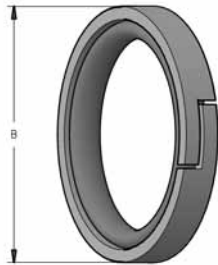
CATERPILLAR® 2 PIECE PISTON SEALS

NOTE: Caterpillar® part numbers are used as a reference only. We do not imply that these parts are original equipment parts.



Part Number	B Nom. OD	D GROOVE WIDTH	H GROOVE DIAMETER	J BORE DIAMETER	List Price
CTC-5J7004A	2	.192 ±.004	1.625 ±.003	2.000	\$10.50
CTC-8J6213A	2-1/2	.192 ±.004	2.125 ±.003	2.500	12.50
CTC-5J7010A	2-3/4	.192 ±.004	2.375 ±.003	2.750	19.09
CTC-6J1972A	3	.192 ±.004	2.460 ±.003	3.000	14.06
CTC-6J0793A	3-1/4	.192 ±.004	2.710 ±.003	3.250	19.95
CTC-5J7013	3-1/2	.192 ±.004	2.960 ±.003	3.500	14.86
CTC-5J7013A	3-1/2	.192 ±.004	2.960 ±.003	3.500	14.86
CTC-5J8011A	3-3/4	.192 ±.004	3.210 ±.003	3.750	25.39
CTC-5J5402A	4	.252 ±.004	3.335 ±.003	4.000	19.75
CTC-5J7854A	4-1/4	.252 ±.004	3.585 ±.003	4.250	21.33
CTC-5J4986A	4-1/2	.252 ±.004	3.835 ±.003	4.500	24.65
CTC-5J4987A	4-3/4	.252 ±.004	4.085 ±.003	4.750	26.94
CTC-5J5020A	5	.379 ±.004	4.225 ±.003	5.000	29.19
CTC-5J7234	5-1/4	.379 ±.004	4.475 ±.003	5.250	32.60
CTC-5J7234A	5-1/4	.379 ±.004	4.475 ±.003	5.250	34.80
CTC-5J4988	5-1/2	.379 ±.004	4.725 ±.003	5.500	28.53
CTC-5J4988A	5-1/2	.379 ±.004	4.725 ±.003	5.500	34.48
CTC-9J4981	5-3/4	.379 ±.004	4.975 ±.003	5.750	40.05
CTC-5J4989A	6	.379 ±.004	5.095 ±.003	6.000	32.98
CTC-5J4990A	6-1/4	.379 ±.004	5.345 ±.003	6.250	28.89
CTC-5J4991A	6-1/2	.379 ±.004	5.595 ±.003	6.500	37.85
CTC-5J4997A	7	.379 ±.004	6.095 ±.003	7.000	41.03
CTC-5J4993A	7-1/4	.379 ±.004	6.345 ±.003	7.250	45.77
CTC-9J7117	7-1/2	.379 ±.002	6.595 ±.003	7.500	72.22
CTC-5J5559	8-1/4	.379 ±.004	7.255 ±.003	8.250	39.54
CTC-5J5559A	8-1/4	.379 ±.004	7.255 ±.003	8.250	39.54
CTC-6J9385	8-1/2	.379 ±.004	7.505 ±.003	8.500	47.95
CTC-6J9385A	8-1/2	.379 ±.004	7.505 ±.003	8.500	51.75
CTC-5J7019A	9-1/4	.379 ±.004	8.255 ±.003	9.250	50.53

CATERPILLAR® 2 PIECE STEP-CUT PISTON SEALS

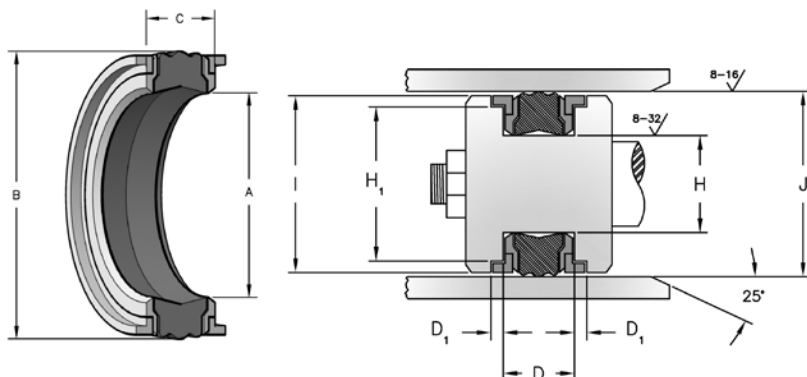


Part Number	B Nom. OD	D GROOVE WIDTH	H GROOVE DIAMETER	J BORE DIAMETER	List Price
CTC-1665295	2-3/4			2.750	\$33.85
CTC-9X7337	3	.192 ±.004	2.460 ±.003	3.000	19.63
CTC-4T8054	3-1/2	.192 ±.004	2.960 ±.003	3.500	25.46
CTC-9X7274	3-3/4	.192 ±.004	3.210 ±.003	3.750	31.60
CTC-8C9160	4	.252 ±.004	3.335 ±.003	4.000	32.86
CTC-8C9164	4-1/4	.252 ±.004	3.585 ±.003	4.250	30.89
CTC-4T5172	4-1/2	.502 ±.004	3.835 ±.003	4.500	48.55
CTC-9X7269	4-1/2	.252 ±.004	3.835 ±.003	4.500	48.14
CTC-8T1787	5	.629 ±.004	4.225 ±.003	5.000	63.56
CTC-9X7264	5	.379 ±.004	4.225 ±.003	5.000	45.72
CTC-8T0763	5-1/4	.379 ±.004	4.475 ±.003	5.250	36.89
CTC-1546744	5-3/8	.379 ±.004	4.600 ±.003	5.375	50.56
CTC-4T5173	5-1/2	.629 ±.004	4.725 ±.003	5.500	39.32
CTC-6E0465	5-1/2	.379 ±.004	4.725 ±.003	5.500	49.64
CTC-2462896	5-3/4			5.750	62.17
CTC-4T4144	6	.629 ±.004	5.095 ±.003	6.000	42.69
CTC-4T8695	6-1/2	.629 ±.004	5.595 ±.003	6.500	38.15
CTC-8T1789	7	.629 ±.004	6.095 ±.003	7.000	41.90
CTC-8T1790	7-1/4	.629 ±.004	6.345 ±.003	7.250	66.38
CTC-8T1792	7-3/4	.629 ±.004	6.845 ±.003	7.750	47.31
CTC-8T1793	8-1/4	.629 ±.004	7.255 ±.003	8.250	60.34
CTC-9T0119	8-1/2	.629 ±.004	7.505 ±.003	8.500	57.09
CTC-8T1794	10	.690 ±.004	8.880 ±.003	10.000	90.01
CTC-8T1795	10-1/4	.690 ±.004	9.130 ±.003	10.250	108.43
CTC-8T1796	10-1/2	.690 ±.004	9.380 ±.003	10.500	97.93
CTC-8T1797	11-1/2	.690 ±.004	10.380 ±.003	11.500	115.32
CTC-1921453	12-1/2	.690 ±.004	11.380 ±.003	12.500	173.34

STYLE PSA PISTON SEALS



Designed to fit on one or two piece pistons, this piston seal employs a nitrile seal for high sealability, nylon split back-ups for extrusion resistance, and two split bearing rings. No further support bearings are required.



SEAL INFORMATION	
MATERIAL	90A NITRILE SEAL NYLON BACK-UP NYLON BEARING
TEMPERATURE RANGE	-22° TO +212° F
PRESSURE RANGE	0 TO 6,000 PSI
SPEED	1.5 Ft/Sec.
PART NUMBER	(Prefix) - (Size)

Part Number	A Nom. ID	B Nom. OD	C Nom. Ht	D SEAL GROOVE WIDTH	D ₁ BEARING GROOVE WIDTH	H GROOVE DIAMETER	H ₁ BEARING GROOVE DIAMETER	I PISTON DIAMETER	J BORE DIAMETER	List Price
PSA-1750	1-1/8	1-3/4	3/4	.750 ^{+0.035} / _{+0.025}	.250 ^{+0.005} / _{+0.000}	1.125 ±0.003	1.569 ^{+0.000} / _{-.002}	1.698 ±0.003	1.750 ^{+0.0024} / _{+0.000}	\$9.42
PSA-2000	1-3/8	2	3/4	.750 ^{+0.035} / _{+0.025}	.250 ^{+0.005} / _{+0.000}	1.375 ±0.003	1.820 ^{+0.000} / _{-.002}	1.948 ±0.004	2.000 ^{+0.0029} / _{+0.000}	10.33
PSA-2250	1-5/8	2-1/4	3/4	.750 ^{+0.035} / _{+0.025}	.250 ^{+0.005} / _{+0.000}	1.625 ±0.003	2.069 ^{+0.000} / _{-.003}	2.197 ±0.004	2.250 ^{+0.0029} / _{+0.000}	20.27
PSA-2375	1-3/4	2-3/8	3/4	.750 ^{+0.035} / _{+0.025}	.250 ^{+0.005} / _{+0.000}	1.750 ±0.003	2.194 ^{+0.000} / _{-.003}	2.322 ±0.004	2.375 ^{+0.0029} / _{+0.000}	13.14
PSA-2500	1-7/8	2-1/2	3/4	.750 ^{+0.035} / _{+0.025}	.250 ^{+0.005} / _{+0.000}	1.875 ±0.003	2.318 ^{+0.000} / _{-.003}	2.446 ±0.004	2.500 ^{+0.0029} / _{+0.000}	14.57
PSA-2750	2	2-3/4	.943	.943 ^{+0.035} / _{+0.025}	.250 ^{+0.005} / _{+0.000}	2.000 ±0.004	2.522 ^{+0.000} / _{-.003}	2.685 ±0.004	2.750 ^{+0.0029} / _{+0.000}	24.23
PSA-3000	2-1/4	3	.943	.943 ^{+0.035} / _{+0.025}	.250 ^{+0.005} / _{+0.000}	2.250 ±0.004	2.771 ^{+0.000} / _{-.003}	2.935 ±0.004	3.000 ^{+0.0029} / _{+0.000}	15.61
PSA-3250A	2-5/8	3-1/4	.772	.772 ^{+0.035} / _{+0.025}	.245 ^{+0.005} / _{+0.000}	2.625 ±0.004	3.021 ^{+0.000} / _{-.003}	3.184 ±0.004	3.250 ^{+0.0034} / _{+0.000}	27.34
PSA-3250	2-1/2	3-1/4	.943	.943 ^{+0.035} / _{+0.025}	.250 ^{+0.005} / _{+0.000}	2.500 ±0.004	3.021 ^{+0.000} / _{-.003}	3.184 ±0.004	3.250 ^{+0.0034} / _{+0.000}	26.98
PSA-3500A	2.85	3-1/2	.772	.772 ^{+0.035} / _{+0.025}	.295 ^{+0.005} / _{+0.000}	2.850 ±0.004	3.272 ^{+0.000} / _{-.003}	3.460 ±0.004	3.500 ^{+0.0034} / _{+0.000}	26.82
PSA-3500	2-3/4	3-1/2	.943	.943 ^{+0.035} / _{+0.025}	.250 ^{+0.005} / _{+0.000}	2.750 ±0.004	3.270 ^{+0.000} / _{-.003}	3.434 ±0.004	3.500 ^{+0.0034} / _{+0.000}	17.02
PSA-3750	3	3-3/4	.943	.943 ^{+0.035} / _{+0.025}	.250 ^{+0.005} / _{+0.000}	3.000 ±0.004	3.520 ^{+0.000} / _{-.003}	3.683 ±0.004	3.750 ^{+0.0034} / _{+0.000}	30.33
PSA-4000B	3-3/8	4	.772	.772 ^{+0.035} / _{+0.025}	.245 ^{+0.005} / _{+0.000}	3.375 ±0.004	3.772 ^{+0.000} / _{-.003}	3.960 ±0.004	4.000 ^{+0.0034} / _{+0.000}	34.17
PSA-4000	3-1/4	4	.943	.943 ^{+0.035} / _{+0.025}	.250 ^{+0.005} / _{+0.000}	3.250 ±0.004	3.770 ^{+0.000} / _{-.003}	3.933 ±0.004	4.000 ^{+0.0034} / _{+0.000}	20.00
PSA-4000A	3-1/4	4	1-3/8	1.375 ^{+0.035} / _{+0.025}	.375 ^{+0.005} / _{+0.000}	3.250 ±0.004	3.709 ^{+0.000} / _{-.003}	3.933 ±0.004	4.000 ^{+0.0034} / _{+0.000}	54.81
PSA-4500	3-1/2	4-1/2	1-1/4	1.250 ^{+0.035} / _{+0.025}	.250 ^{+0.005} / _{+0.000}	3.500 ±0.004	4.229 ^{+0.000} / _{-.003}	4.422 ±0.005	4.500 ^{+0.0034} / _{+0.000}	40.37

Seal color may vary.



STYLE PSA PISTON SEALS

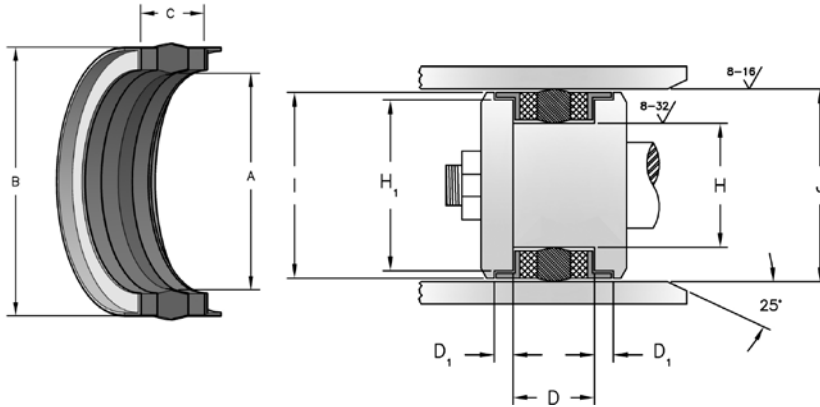
Part Number	A Nom. ID	B Nom. OD	C Nom. Ht	D SEAL GROOVE WIDTH	D ₁ BEARING GROOVE WIDTH	H GROOVE DIAMETER	H ₁ BEARING GROOVE DIAMETER	I PISTON DIAMETER	J BORE DIAMETER	List Price
PSA-4500A	3-1/2	4-1/2	1-3/4	1.750 ^{+0.035} / _{+0.025}	.500 ^{+0.005} / _{+0.000}	3.500 ±.004	4.180 ^{+0.000} / _{-.003}	4.400 ±.004	4.500 ^{+0.0034} / _{+0.0000}	67.73
PSA-5000A	4-1/4	5	.96	.960 ^{+0.035} / _{+0.025}	.245 ^{+0.005} / _{+0.000}	4.250 ±.004	4.772 ^{+0.000} / _{-.004}	4.960 ±.005	5.000 ^{+0.0039} / _{+0.0000}	47.22
PSA-5000	4	5	1-1/4	1.250 ^{+0.035} / _{+0.025}	.400 ^{+0.005} / _{+0.000}	4.000 ±.004	4.709 ^{+0.000} / _{-.004}	4.902 ±.005	5.000 ^{+0.0039} / _{+0.0000}	50.29
PSA-6000	5	6	1-1/4	1.250 ^{+0.035} / _{+0.025}	.375 ^{+0.005} / _{+0.000}	5.000 ±.004	5.709 ^{+0.000} / _{-.004}	5.902 ±.005	6.000 ^{+0.0039} / _{+0.0000}	62.16
PSA-6000A	5	6	1-3/4	1.750 ^{+0.035} / _{+0.025}	.500 ^{+0.005} / _{+0.000}	5.000 ±.004	5.675 ^{+0.000} / _{-.004}	5.900 ±.005	6.000 ^{+0.0039} / _{+0.0000}	79.20

**CUSTOM SIZES OF THESE SEALS CAN BE
MANUFACTURED UPON REQUEST**

STYLE PSA-58 PISTON SEALS



Style PSA-58 piston seals combine a heavy duty, fabric reinforced seal with two polyacetal "L" bearings. This construction allows the seal to withstand pressures up to 5,000 PSI. "L" bearings also react to pressure to prevent extrusion and support the piston. For 2-piece pistons.



SEAL INFORMATION	
MATERIAL	FABRIC REINFORCED NITRILE SEAL POLYACETAL ANTI- EXTRUSION RING
TEMPERATURE RANGE	-22° TO +212° F
PRESSURE RANGE	0 TO 5,000 PSI
SPEED	1.5 Ft/Sec.
PART NUMBER	(Prefix) (Type of Seal) - (Size)

Part Number	A Nom. ID	B Nom. OD	C Nom. Ht	D SEAL GROOVE WIDTH	D ₁ BEARING GROOVE WIDTH	H GROOVE DIAMETER	H ₁ BEARING GROOVE DIAMETER	I PISTON DIAMETER	J BORE DIAMETER	List Price
PSA-58-1000	5/8	1	19/32	.596 ^{+0.035} / _{+0.025}	.182 ^{+0.005} / _{+0.000}	.625 ±0.022	.865 ±0.002	.968	1.000 ^{+0.0051} / _{+0.0000}	\$ 14.57
PSA-58-1250	3/4	1-1/4	3/4	.750 ^{+0.035} / _{+0.025}	.250 ^{+0.000} / _{-0.005}	.750 ±0.026	1.115 ±0.002	1.218	1.250 ^{+0.0063} / _{+0.0000}	17.42
PSA-58-1375	7/8	1-3/8	3/4	.750 ^{+0.035} / _{+0.025}	.250 ^{+0.000} / _{-0.005}	.875 ±0.026	1.241 ±0.002	1.343	1.375 ^{+0.0063} / _{+0.0000}	19.76
PSA-58-1500	1	1-1/2	3/4	.750 ^{+0.035} / _{+0.025}	.250 ^{+0.000} / _{-0.005}	1.000 ±0.026	1.365 ±0.002	1.468	1.500 ^{+0.0063} / _{+0.0000}	27.84
PSA-58-1625	1	1-5/8	15/16	.937 ^{+0.035} / _{+0.025}	.250 ^{+0.000} / _{-0.005}	1.000 ±0.026	1.428 ±0.002	1.562	1.625 ^{+0.0063} / _{+0.0000}	45.52
PSA-58-1750	1-1/8	1-3/4	15/16	.937 ^{+0.035} / _{+0.025}	.250 ^{+0.000} / _{-0.005}	1.125 ±0.026	1.552 ±0.002	1.687	1.750 ^{+0.0063} / _{+0.0000}	32.34
PSA-58-1875	1-1/4	1-7/8	15/16	.937 ^{+0.035} / _{+0.025}	.250 ^{+0.000} / _{-0.005}	1.250 ±0.031	1.679 ±0.002	1.835	1.875 ^{+0.0063} / _{+0.0000}	26.32
PSA-58-2000B	1-3/8	2	3/4	.750 ^{+0.035} / _{+0.025}	.250 ^{+0.005} / _{+0.000}	1.375 ±0.031	1.802 ±0.002	1.937	2.000 ^{+0.0075} / _{+0.0000}	18.18
PSA-58-2000	1-3/8	2	15/16	.937 ^{+0.035} / _{+0.025}	.250 ^{+0.000} / _{-0.005}	1.375 ±0.031	1.802 ±0.002	1.937	2.000 ^{+0.0075} / _{+0.0000}	33.77
PSA-58-2250	1-5/8	2-1/4	15/16	.937 ^{+0.035} / _{+0.025}	.250 ^{+0.000} / _{-0.005}	1.625 ±0.031	2.052 ±0.002	2.187	2.250 ^{+0.0075} / _{+0.0000}	37.48
PSA-58-2375	1-3/4	2-3/8	15/16	.937 ^{+0.035} / _{+0.025}	.250 ^{+0.000} / _{-0.005}	1.750 ±0.031	2.177 ±0.002	2.317	2.375 ^{+0.0075} / _{+0.0000}	24.00
PSA-58-2500	1-7/8	2-1/2	15/16	.937 ^{+0.035} / _{+0.025}	.250 ^{+0.000} / _{-0.005}	1.875 ±0.031	2.305 ±0.002	2.437	2.500 ^{+0.0075} / _{+0.0000}	41.99
PSA-58-2625	2	2-5/8	15/16	.937 ^{+0.035} / _{+0.025}	.250 ^{+0.000} / _{-0.005}	2.000 ±0.037	2.428 ±0.002	2.562	2.625 ^{+0.0075} / _{+0.0000}	22.82
PSA-58-2750	2	2-3/4	1-3/16	1.187 ^{+0.035} / _{+0.025}	.250 ^{+0.000} / _{-0.005}	2.000 ±0.037	2.480 ±0.002	2.685	2.750 ^{+0.0075} / _{+0.0000}	48.83
PSA-58-3000B	2-1/4	3	27/32	.843 ^{+0.035} / _{+0.025}	.250 ^{+0.000} / _{-0.005}	2.250 ±0.037	2.732 ±0.002	2.938	3.000 ^{+0.0075} / _{+0.0000}	29.39
PSA-58-3000A	2-1/4	3	15/16	.937 ^{+0.035} / _{+0.025}	.250 ^{+0.000} / _{-0.005}	2.250 ±0.037	2.772 ±0.002	2.938	3.000 ^{+0.0075} / _{+0.0000}	31.46

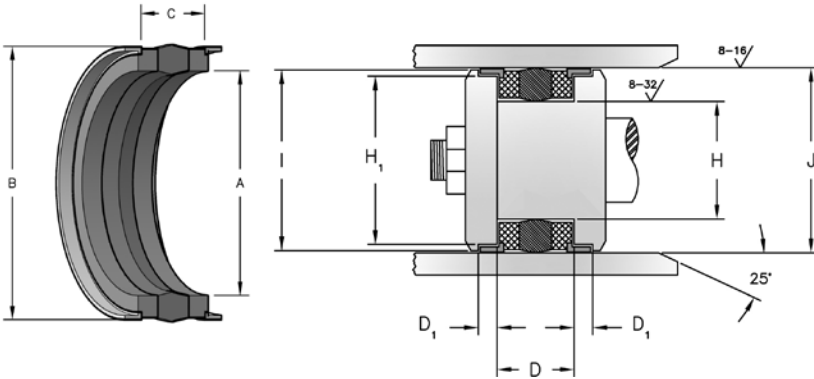
STYLE PSA-58 PISTON SEALS

Part Number	A Nom. ID	B Nom. OD	C Nom. Ht	D SEAL GROOVE WIDTH	D ₁ BEARING GROOVE WIDTH	H GROOVE DIAMETER	H ₁ BEARING GROOVE DIAMETER	I PISTON DIAMETER	J BORE DIAMETER	List Price
PSA-58-3000	2-1/4	3	1-3/16	1.187 ^{+0.035} / _{+0.025}	.250 ^{+0.005} / _{+0.000}	2.250 ±0.037	2.735 ±0.002	2.937	3.000 ^{+0.0075} / _{+0.0000}	51.44
PSA-58-3250	2-1/2	3-1/4	1-3/16	1.187 ^{+0.035} / _{+0.025}	.250 ^{+0.005} / _{+0.000}	2.500 ±0.037	2.985 ±0.002	3.187	3.250 ^{+0.0087} / _{+0.0000}	53.55
PSA-58-3500	2-3/4	3-1/2	1-3/16	1.187 ^{+0.035} / _{+0.025}	.250 ^{+0.005} / _{+0.000}	2.750 ±0.037	3.235 ±0.002	3.437	3.500 ^{+0.0087} / _{+0.0000}	56.95
PSA-58-3750	3	3-3/4	1-3/16	1.187 ^{+0.035} / _{+0.025}	.250 ^{+0.005} / _{+0.000}	3.000 ±0.037	3.485 ±0.002	3.687	3.750 ^{+0.0087} / _{+0.0000}	59.46
PSA-58-4000	3-1/4	4	1-3/16	1.187 ^{+0.035} / _{+0.025}	.250 ^{+0.000} / _{-0.005}	3.250 ±0.043	3.732 ±0.002	3.937	4.000 ^{+0.0087} / _{+0.0000}	66.51
PSA-58-4250	3-1/2	4-1/4	1-3/16	1.187 ^{+0.035} / _{+0.025}	.250 ^{+0.005} / _{+0.000}	3.500 ±0.043	3.982 ±0.002	4.187	4.250 ^{+0.0087} / _{+0.0000}	46.83
PSA-58-4500	3-1/2	4-1/2	1-1/2	1.500 ^{+0.035} / _{+0.025}	.375 ^{+0.000} / _{-0.005}	3.500 ±0.043	4.232 ±0.002	4.437	4.500 ^{+0.0087} / _{+0.0000}	79.65
PSA-58-4750	3-3/4	4-3/4	1-1/2	1.500 ^{+0.035} / _{+0.025}	.375 ^{+0.000} / _{-0.005}	3.750 ±0.043	4.478 ±0.002	4.671	4.750 ^{+0.0098} / _{+0.0000}	81.44
PSA-58-5000	4	5	1-1/2	1.500 ^{+0.035} / _{+0.025}	.375 ^{+0.005} / _{+0.000}	4.000 ±0.043	4.735 ±0.002	4.937	5.000 ^{+0.0098} / _{+0.0000}	91.42
PSA-58-5250	4-1/4	5-1/4	1-1/2	1.500 ^{+0.035} / _{+0.025}	.375 ^{+0.000} / _{-0.005}	4.250 ±0.043	4.982 ±0.002	5.187	5.250 ^{+0.0098} / _{+0.0000}	51.08
PSA-58-5500	4-1/2	5-1/2	1-1/2	1.500 ^{+0.035} / _{+0.025}	.375 ^{+0.005} / _{+0.000}	4.500 ±0.043	5.236 ±0.002	5.437	5.500 ^{+0.0098} / _{+0.0000}	97.46
PSA-58-5750	4-3/4	5-3/4	1-1/2	1.500 ^{+0.035} / _{+0.025}	.375 ^{+0.000} / _{-0.005}	4.750 ±0.049	5.484 ±0.002	5.687	5.750 ^{+0.0098} / _{+0.0000}	178.34
PSA-58-6000	5	6	1-1/2	1.500 ^{+0.035} / _{+0.025}	.375 ^{+0.000} / _{-0.005}	5.000 ±0.049	5.732 ±0.002	5.937	6.000 ^{+0.0098} / _{+0.0000}	103.78
PSA-58-6500	5-1/2	6-1/2	1-1/2	1.500 ^{+0.035} / _{+0.025}	.375 ^{+0.005} / _{+0.000}	5.500 ±0.049	6.236 ±0.002	6.437	6.500 ^{+0.0098} / _{+0.0000}	154.66
PSA-58-7000	6	7	1-1/2	1.500 ^{+0.035} / _{+0.025}	.375 ^{+0.005} / _{+0.000}	6.000 ±0.049	6.736 ±0.002	6.937	7.000 ^{+0.0098} / _{+0.0000}	164.03
PSA-58-8000	7	8	1-1/4	1.250 ^{+0.035} / _{+0.025}	.375 ^{+0.000} / _{-0.005}	7.000 ±0.049	7.740 ±0.002	7.937	8.000 ^{+0.0114} / _{+0.0000}	316.10
PSA-58-10000	9	10	1-1/4	1.250 ^{+0.035} / _{+0.025}	.375 ^{+0.000} / _{-0.005}	9.000 ±0.057	9.740 ±0.002	9.937	10.000 ^{+0.0126} / _{+0.0000}	411.50



STYLE PSA-59 PISTON SEALS

This style is designed for 2 piece piston. The seal is a molded Nitrile rubber element with bonded rubberized fabric reinforcement and two anti-extrusion polyacetal bearings.



SEAL INFORMATION	
MATERIAL	FABRIC REINFORCED NITRILE SEAL POLYACETAL ANTI- EXTRUSION RING
TEMPERATURE RANGE	-22° TO +212° F
PRESSURE RANGE	0 TO 5,000 PSI
SPEED	1.5 Ft/Sec.
PART NUMBER	(Prefix) (Type of Seal) - (Size)

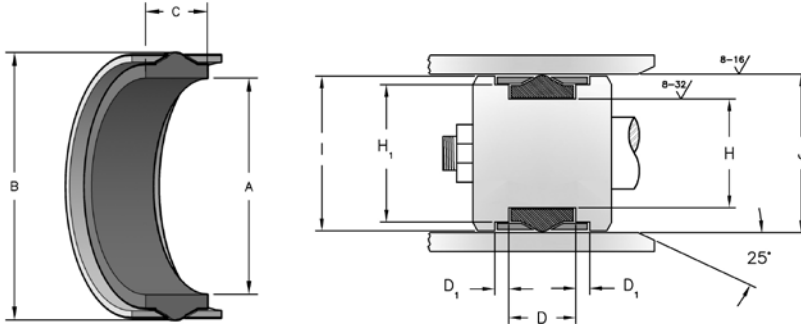
Part Number	A Nom. ID	B Nom. OD	C Nom. Ht	D SEAL GROOVE WIDTH	D ₁ BEARING GROOVE WIDTH	H GROOVE DIAMETER	H ₁ BEARING GROOVE DIAMETER	I PISTON DIAMETER	J BORE DIAMETER	List Price
PSA-59-1000A	5/8	1	.468	.468 ^{+0.035} / _{+0.025}	.250 ^{+0.005} / _{+0.000}	.625 ±.003	.883 ^{+0.000} / _{-.002}	.964 ±.003	1.000 ^{+0.006} / _{+0.000}	\$16.64
PSA-59-1500	1	1-1/2	5/8	.625 ^{+0.035} / _{+0.025}	.250 ^{+0.005} / _{+0.000}	1.000 ±.003	1.360 ^{+0.000} / _{-.002}	1.458 ±.003	1.500 ^{+0.006} / _{+0.000}	15.61
PSA-59-1625	1-1/8	1-5/8	5/8	.625 ^{+0.035} / _{+0.025}	.250 ^{+0.005} / _{+0.000}	1.125 ±.003	1.485 ^{+0.000} / _{-.002}	1.583 ±.003	1.625 ^{+0.006} / _{+0.000}	18.70
PSA-59-1750	1-1/8	1-3/4	3/4	.750 ^{+0.035} / _{+0.025}	.250 ^{+0.005} / _{+0.000}	1.125 ±.003	1.570 ^{+0.000} / _{-.002}	1.698 ±.003	1.750 ^{+0.006} / _{+0.000}	21.43
PSA-59-2125	1-1/2	2-1/8	3/4	.750 ^{+0.035} / _{+0.025}	.250 ^{+0.005} / _{+0.000}	1.500 ±.003	1.944 ^{+0.000} / _{-.003}	2.074 ±.004	2.125 ^{+0.007} / _{+0.000}	27.85
PSA-59-2250	1-5/8	2-1/4	3/4	.750 ^{+0.035} / _{+0.025}	.250 ^{+0.005} / _{+0.000}	1.625 ±.003	2.069 ^{+0.000} / _{-.003}	2.197 ±.004	2.250 ^{+0.007} / _{+0.000}	17.68
PSA-59-2375	1-3/4	2-3/8	3/4	.750 ^{+0.035} / _{+0.025}	.250 ^{+0.005} / _{+0.000}	1.750 ±.003	2.194 ^{+0.000} / _{-.003}	2.322 ±.004	2.375 ^{+0.007} / _{+0.000}	18.70
PSA-59-2500A	1-7/8	2-1/2	3/4	.750 ^{+0.035} / _{+0.025}	.250 ^{+0.005} / _{+0.000}	1.875 ±.003	2.321 ^{+0.000} / _{-.003}	2.437 ±.004	2.500 ^{+0.007} / _{+0.000}	34.17
PSA-59-2750	2	2-3/4	3/4	.750 ^{+0.035} / _{+0.025}	.250 ^{+0.005} / _{+0.000}	2.000 ±.004	2.522 ^{+0.000} / _{-.003}	2.685 ±.004	2.750 ^{+0.007} / _{+0.000}	31.46
PSA-59-2750A	2	2-3/4	.937	.937 ^{+0.035} / _{+0.025}	.250 ^{+0.005} / _{+0.000}	2.000 ±.004	2.522 ^{+0.000} / _{-.003}	2.685 ±.004	2.750 ^{+0.007} / _{+0.000}	23.06
PSA-59-3000	2-1/4	3	.937	.937 ^{+0.035} / _{+0.025}	.250 ^{+0.005} / _{+0.000}	2.250 ±.004	2.772 ^{+0.000} / _{-.003}	2.935 ±.004	3.000 ^{+0.007} / _{+0.000}	23.84
PSA-59-3000A	2-1/4	3	1-1/8	1.125 ^{+0.035} / _{+0.025}	.250 ^{+0.005} / _{+0.000}	2.250 ±.004	2.772 ^{+0.000} / _{-.003}	2.935 ±.004	3.000 ^{+0.007} / _{+0.000}	25.43
PSA-59-3250	2-1/2	3-1/4	.937	.937 ^{+0.035} / _{+0.025}	.250 ^{+0.005} / _{+0.000}	2.500 ±.004	3.021 ^{+0.000} / _{-.003}	3.184 ±.004	3.250 ^{+0.009} / _{+0.000}	34.08
PSA-59-3500	2-3/4	3-1/2	.937	.937 ^{+0.035} / _{+0.025}	.250 ^{+0.005} / _{+0.000}	2.750 ±.004	3.271 ^{+0.000} / _{-.003}	3.434 ±.004	3.500 ^{+0.009} / _{+0.000}	31.24
PSA-59-4000	3-1/4	4	.937	.937 ^{+0.035} / _{+0.025}	.250 ^{+0.005} / _{+0.000}	3.250 ±.004	3.770 ^{+0.000} / _{-.003}	3.933 ±.004	4.000 ^{+0.009} / _{+0.000}	37.90
PSA-59-4500	3-1/2	4-1/2	1-1/4	1.250 ^{+0.035} / _{+0.025}	.250 ^{+0.005} / _{+0.000}	3.500 ±.004	4.229 ^{+0.000} / _{-.003}	4.422 ±.005	4.500 ^{+0.009} / _{+0.000}	41.14

STYLE PSA-59 PISTON SEALS

Part Number	A Nom. ID	B Nom. OD	C Nom. Ht	D SEAL GROOVE WIDTH	D ₁ BEARING GROOVE WIDTH	H GROOVE DIAMETER	H ₁ BEARING GROOVE DIAMETER	I PISTON DIAMETER	J BORE DIAMETER	List Price
PSA-59-5000	4	5	1-1/4	1.250 ^{+0.035} / _{+0.025}	.250 ^{+0.005} / _{+0.000}	4.000 ±.004	4.728 ^{+0.000} / _{-.004}	4.921 ±.005	5.000 ^{+0.010} / _{+0.000}	48.01
PSA-59-5500	4-1/2	5-1/2	1-1/4	1.250 ^{+0.035} / _{+0.025}	.250 ^{+0.005} / _{+0.000}	4.500 ±.004	5.227 ^{+0.000} / _{-.004}	5.420 ±.005	5.500 ^{+0.010} / _{+0.000}	62.02
PSA-59-6000	5	6	1-1/4	1.250 ^{+0.035} / _{+0.025}	.250 ^{+0.005} / _{+0.000}	5.000 ±.005	5.726 ^{+0.000} / _{-.004}	5.919 ±.005	6.000 ^{+0.010} / _{+0.000}	56.09
PSA-59-6500	5-1/2	6-1/2	1-1/4	1.250 ^{+0.035} / _{+0.025}	.250 ^{+0.005} / _{+0.000}	5.500 ±.005	6.226 ^{+0.000} / _{-.004}	6.419 ±.005	6.500 ^{+0.010} / _{+0.000}	89.13
PSA-59-7000	6	7	1-1/4	1.250 ^{+0.035} / _{+0.025}	.250 ^{+0.005} / _{+0.000}	6.000 ±.005	6.724 ^{+0.000} / _{-.004}	6.917 ±.005	7.000 ^{+0.010} / _{+0.000}	106.02
PSA-59-8000	7	8	1-1/4	1.250 ^{+0.035} / _{+0.025}	.250 ^{+0.005} / _{+0.000}	7.000 ±.005	7.723 ^{+0.000} / _{-.005}	7.915 ±.006	8.000 ^{+0.011} / _{+0.000}	120.32

STYLE PSA-65 PISTON SEALS

Compact and easy to install, the Style PSA-65 piston seal is a simple and economical design for pressures up to 3,000 PSI. The assembly consists of a nitrile rubber seal and two polyacetal bearings to support the piston. For 1-piece pistons.



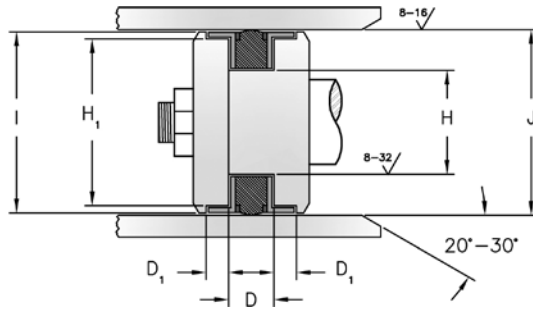
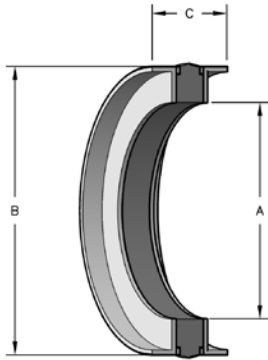
SEAL INFORMATION

MATERIAL	NITRILE SEAL POLYACETAL ANTI-EXTRUSION RING
TEMPERATURE RANGE	-22° TO +212° F
PRESSURE RANGE	0 TO 3,000 PSI
SPEED	1.5 Ft/Sec.
PART NUMBER	(Prefix) (Type of Seal) - (Size)

Part Number	A Nom. ID	B Nom. OD	C Nom. Ht	D SEAL GROOVE WIDTH	D ₁ BEARING GROOVE WIDTH	H GROOVE DIAMETER	H ₁ BEARING GROOVE DIAMETER	I PISTON DIAMETER	J BORE DIAMETER	List Price
PSA-65-1000	11/16	1	11/32	.343 +0.015 +0.005	.125 +0.000 -0.005	.687 +0.000 -0.002	.829 +0.000 -0.002	.937 +0.000 -0.006	1.000 +0.004 +0.000	\$9.35
PSA-65-1250	15/16	1-1/4	11/32	.343 +0.015 +0.005	.125 +0.000 -0.005	.937 +0.000 -0.002	1.079 +0.000 -0.002	1.187 +0.000 -0.006	1.250 +0.004 +0.000	8.87
PSA-65-1500	1-1/8	1-1/2	7/16	.437 +0.015 +0.005	.150 +0.000 -0.005	1.125 +0.000 -0.002	1.324 +0.000 -0.002	1.437 +0.000 -0.006	1.500 +0.004 +0.000	8.87
PSA-65-1750	1-3/8	1-3/4	7/16	.437 +0.015 +0.005	.150 +0.000 -0.005	1.375 +0.000 -0.002	1.574 +0.000 -0.002	1.687 +0.000 -0.006	1.750 +0.004 +0.000	15.74
PSA-65-2000	1-5/8	2	7/16	.437 +0.015 +0.005	.150 +0.000 -0.005	1.625 +0.000 -0.002	1.824 +0.000 -0.002	1.937 +0.000 -0.006	2.000 +0.005 +0.000	31.47
PSA-65-2250	1-7/8	2-1/4	7/16	.437 +0.015 +0.005	.150 +0.000 -0.005	1.875 +0.000 -0.002	2.075 +0.000 -0.003	2.187 +0.000 -0.006	2.250 +0.005 +0.000	12.95
PSA-65-2375	2	2-3/8	7/16	.437 +0.015 +0.005	.150 +0.000 -0.005	2.000 +0.000 -0.002	2.195 +0.000 -0.003	2.312 +0.000 -0.007	2.375 +0.005 +0.000	11.21
PSA-65-2500	2-1/8	2-1/2	7/16	.437 +0.015 +0.005	.150 +0.000 -0.005	2.125 +0.000 -0.003	2.325 +0.000 -0.003	2.437 +0.000 -0.007	2.500 +0.005 +0.000	37.48
PSA-65-2500A	2	2-1/2	5/8	.625 +0.015 +0.005	.255 +0.000 -0.005	2.000 +0.000 -0.003	2.325 +0.000 -0.003	2.437 +0.000 -0.007	2.500 +0.005 +0.000	22.97
PSA-65-2750	2-3/8	2-3/4	7/16	.437 +0.015 +0.005	.150 +0.000 -0.005	2.375 +0.000 -0.003	2.575 +0.000 -0.002	2.687 +0.000 -0.007	2.750 +0.005 +0.000	23.93
PSA-65-3000	2-5/8	3	7/16	.437 +0.015 +0.005	.150 +0.000 -0.005	2.625 +0.000 -0.003	2.825 +0.000 -0.003	2.937 +0.000 -0.007	3.000 +0.005 +0.000	47.32
PSA-65-3500	3	3-1/2	9/16	.562 +0.015 +0.005	.210 +0.000 -0.005	3.000 +0.000 -0.003	3.270 +0.000 -0.003	3.437 +0.000 -0.009	3.500 +0.006 +0.000	54.65
PSA-65-4000	3-1/2	4	9/16	.562 +0.015 +0.005	.210 +0.000 -0.005	3.500 +0.000 -0.003	3.770 +0.000 -0.003	3.937 +0.000 -0.009	4.000 +0.006 +0.000	60.99
PSA-65-5000	4-3/8	5	11/16	.687 +0.015 +0.005	.344 +0.000 -0.005	4.375 +0.000 -0.003	4.689 +0.000 -0.003	4.937 +0.000 -0.010	5.000 +0.006 +0.000	78.90
PSA-65-5500	4-7/8	5-1/2	11/16	.687 +0.015 +0.005	.344 +0.000 -0.005	4.875 +0.000 -0.004	5.188 +0.000 -0.004	5.437 +0.000 -0.010	5.500 +0.006 +0.000	85.15
PSA-65-6000	5-1/4	6	1	1.000 +0.015 +0.005	.500 +0.000 -0.005	5.250 +0.000 -0.004	5.712 +0.000 -0.004	5.937 +0.000 -0.010	6.000 +0.006 +0.000	89.70
PSA-65-7000	6-1/4	7	1	1.000 +0.015 +0.005	.500 +0.000 -0.005	6.250 +0.000 -0.004	6.712 +0.000 -0.004	6.937 +0.000 -0.010	7.000 +0.006 +0.000	109.72

STYLE PSF PISTON SEALS

Designed to fit on one or two piece pistons, this seal employs a nitrile seal element, PTFE split back-up rings and polyacetal split bearing rings.



SEAL INFORMATION	
MATERIAL	NITRILE SEAL POLYACETAL ANTI-EXTRUSION RING
TEMPERATURE RANGE	-22° TO +212° F
PRESSURE RANGE	0 TO 3,000 PSI
SPEED	3 FT/SEC
PART NUMBER	(Prefix) - (O-Ring Size)

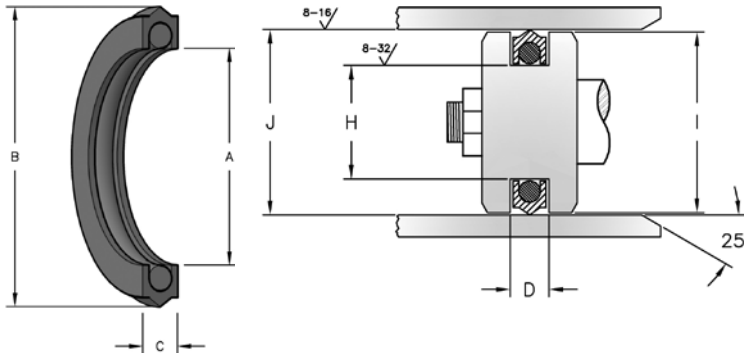
Part Number	A Nom. ID	B Nom. OD	C Nom. Ht	D SEAL GROOVE WIDTH	D ₁ BEARING GROOVE WIDTH	H GROOVE DIAMETER	H ₁ BEARING GROOVE DIAMETER	I PISTON DIAMETER	J BORE DIAMETER	List Price
PSF-2000	1-5/8	2	.986	.496 ^{+0.015} / _{+0.005}	.245 ^{+0.000} / _{-0.005}	1.625 ^{+0.000} / _{-0.002}	1.888 ^{+0.000} / _{-0.002}	1.960 ^{+0.000} / _{-0.006}	2.000	\$12.92
PSF-2500	2	2-1/2	1.14	.650 ^{+0.015} / _{+0.005}	.245 ^{+0.000} / _{-0.005}	2.000 ^{+0.000} / _{-0.003}	2.320 ^{+0.000} / _{-0.003}	2.460 ^{+0.000} / _{-0.007}	2.500	17.12
PSF-2750	2-1/4	2-3/4	1.15	.650 ^{+0.015} / _{+0.005}	.250 ^{+0.000} / _{-0.005}	2.250 ^{+0.000} / _{-0.003}	2.570 ^{+0.000} / _{-0.003}	2.710 ^{+0.000} / _{-0.007}	2.750	18.77
PSF-3000	2-3/8	3	1.265	.775 ^{+0.015} / _{+0.005}	.245 ^{+0.000} / _{-0.005}	2.375 ^{+0.000} / _{-0.003}	2.772 ^{+0.000} / _{-0.003}	2.960 ^{+0.000} / _{-0.007}	3.000	18.88
PSF-4000	3-1/2	4	.982	.562 ^{+0.015} / _{+0.005}	.210 ^{+0.000} / _{-0.005}	3.500 ^{+0.000} / _{-0.003}	3.770 ^{+0.000} / _{-0.003}	3.937 ^{+0.000} / _{-0.009}	4.000	31.17

STYLE PSC PISTON SEALS



The Style PSC is a double acting piston seal designed to replace o-rings, quad-rings, and T-seals with the same groove dimensions (O-ring dash number). Style 575 urethane back-up rings may be added to either or both sides of the "PSC" to accommodate wider groove widths. The PSC is made of 95A Durometer polyurethane, giving it high extrusion and abrasion resistance. The crowned sealing surface produces a positive seal from vacuum to high pressure.

We also offer a wide base (WB) Style PSC piston seal. These wide base seals have the same characteristics of the standard PSC seals but offer a wider base, eliminating the need to use back-up rings to accommodate wider grooves. **NOTE:** Piston diameter "I" dimensions are given for piston without wear rings.



SEAL INFORMATION	
MATERIAL	95A POLYURETHANE SEAL 70A NITRILE ENERGIZER
TEMPERATURE RANGE	-40° TO +200° F
PRESSURE RANGE	0 TO 5,000 PSI
SPEED	3 FT/SEC
PART NUMBER	(Prefix) - (O-Ring Size) - (Wide Base)

Part Number	A Nom. ID	B Nom. OD	C Nom. Ht	O-RING DASH NUMBER	D GROOVE WIDTH	H GROOVE DIAMETER	I PISTON DIAMETER	J BORE DIAMETER	List Price
PSC-203	5/16	9/16	.15	-203	.185 ^{+0.05} / _{+0.00}	.315 ^{+0.00} / _{-0.002}	.559 ^{+0.00} / _{-0.002}	.562 ±.001	\$ 4.48
PSC-204	3/8	5/8	.15	-204	.185 ^{+0.05} / _{+0.00}	.378 ^{+0.00} / _{-0.002}	.622 ^{+0.00} / _{-0.002}	.625 ±.001	4.49
PSC-205	7/16	11/16	.15	-205	.185 ^{+0.05} / _{+0.00}	.440 ^{+0.00} / _{-0.002}	.684 ^{+0.00} / _{-0.002}	.687 ±.001	4.59
PSC-207	9/16	13/16	.15	-207	.185 ^{+0.05} / _{+0.00}	.565 ^{+0.00} / _{-0.002}	.809 ^{+0.00} / _{-0.002}	.812 ±.001	4.93
PSC-208	5/8	7/8	.15	-208	.185 ^{+0.05} / _{+0.00}	.628 ^{+0.00} / _{-0.002}	.872 ^{+0.00} / _{-0.002}	.875 ±.001	5.05
PSC-210	3/4	1	.15	-210	.185 ^{+0.05} / _{+0.00}	.754 ^{+0.00} / _{-0.002}	.998 ^{+0.00} / _{-0.002}	1.000 ^{+0.002} / _{+0.000}	3.28
PSC-211	13/16	1-1/16	.15	-211	.185 ^{+0.05} / _{+0.00}	.816 ^{+0.00} / _{-0.002}	1.060 ^{+0.00} / _{-0.002}	1.062 ^{+0.002} / _{+0.000}	5.60
PSC-212	7/8	1-1/8	.15	-212	.185 ^{+0.05} / _{+0.00}	.879 ^{+0.00} / _{-0.002}	1.123 ^{+0.00} / _{-0.002}	1.125 ^{+0.002} / _{+0.000}	5.60
PSC-213	15/16	1-3/16	.15	-213	.185 ^{+0.05} / _{+0.00}	.941 ^{+0.00} / _{-0.002}	1.185 ^{+0.00} / _{-0.002}	1.187 ^{+0.002} / _{+0.000}	5.60
PSC-214	1	1-1/4	.15	-214	.185 ^{+0.05} / _{+0.00}	1.004 ^{+0.00} / _{-0.002}	1.248 ^{+0.00} / _{-0.002}	1.250 ^{+0.002} / _{+0.000}	7.92
PSC-216	1-1/8	1-3/8	.15	-216	.185 ^{+0.05} / _{+0.00}	1.129 ^{+0.00} / _{-0.002}	1.373 ^{+0.00} / _{-0.002}	1.375 ^{+0.002} / _{+0.000}	5.60
PSC-218	1-1/4	1-1/2	.15	-218	.185 ^{+0.05} / _{+0.00}	1.254 ^{+0.00} / _{-0.002}	1.498 ^{+0.00} / _{-0.002}	1.500 ^{+0.002} / _{+0.000}	5.60
PSC-218-WB	1-1/4	1-1/2	.265	-218	.304 ^{+0.010} / _{+0.000}	1.254 ^{+0.000} / _{-0.002}	1.498 ^{+0.000} / _{-0.002}	1.500 ^{+0.002} / _{+0.000}	8.78
PSC-220	1-3/8	1-5/8	.15	-220	.185 ^{+0.05} / _{+0.00}	1.379 ^{+0.000} / _{-0.002}	1.623 ^{+0.000} / _{-0.002}	1.625 ^{+0.002} / _{+0.000}	6.08
PSC-222	1-1/2	1-3/4	.15	-222	.185 ^{+0.05} / _{+0.00}	1.504 ^{+0.000} / _{-0.002}	1.748 ^{+0.000} / _{-0.002}	1.750 ^{+0.002} / _{+0.000}	6.34
PSC-222-WB	1-1/2	1-3/4	.265	-222	.304 ^{+0.010} / _{+0.000}	1.504 ^{+0.000} / _{-0.002}	1.748 ^{+0.000} / _{-0.002}	1.750 ^{+0.002} / _{+0.000}	10.12
PSC-325	1-1/2	1-7/8	.255	-325	.280 ^{+0.005} / _{+0.000}	1.500 ^{+0.000} / _{-0.002}	1.873 ^{+0.000} / _{-0.002}	1.875 ^{+0.002} / _{+0.000}	6.73

STYLE PSC PISTON SEALS

Part Number	A Nom. ID	B Nom. OD	C Nom. Ht	O-RING DASH NUMBER	D GROOVE WIDTH	H GROOVE DIAMETER	I PISTON DIAMETER	J BORE DIAMETER	List Price
PSC-326	1-5/8	2	.255	-326	.280 ^{+0.005} / _{+0.000}	1.625 ^{+0.000} / _{-0.002}	1.998 ^{+0.000} / _{-0.002}	2.000 ^{+0.002} / _{+0.000}	7.01
PSC-326-WB	1-5/8	2	3/8	-326	.424 ^{+0.010} / _{+0.000}	1.625 ^{+0.000} / _{-0.002}	1.998 ^{+0.000} / _{-0.002}	2.000 ^{+0.002} / _{+0.000}	11.48
PSC-328	1-7/8	2-1/4	.255	-328	.280 ^{+0.005} / _{+0.000}	1.875 ^{+0.000} / _{-0.002}	2.248 ^{+0.000} / _{-0.002}	2.250 ^{+0.002} / _{+0.000}	8.07
PSC-329	2	2-3/8	.255	-329	.280 ^{+0.005} / _{+0.000}	2.000 ^{+0.000} / _{-0.002}	2.373 ^{+0.000} / _{-0.002}	2.375 ^{+0.002} / _{+0.000}	8.66
PSC-330	2-1/8	2-1/2	.255	-330	.280 ^{+0.005} / _{+0.000}	2.125 ^{+0.000} / _{-0.002}	2.498 ^{+0.000} / _{-0.002}	2.500 ^{+0.002} / _{+0.000}	9.13
PSC-330-WB	2-1/8	2-1/2	3/8	-330	.424 ^{+0.010} / _{+0.000}	2.125 ^{+0.000} / _{-0.002}	2.498 ^{+0.000} / _{-0.002}	2.500 ^{+0.002} / _{+0.000}	14.45
PSC-332	2-3/8	2-3/4	.255	-332	.280 ^{+0.005} / _{+0.000}	2.374 ^{+0.000} / _{-0.004}	2.747 ^{+0.000} / _{-0.004}	2.750 ^{+0.003} / _{-0.001}	10.77
PSC-332-WB	2-3/8	2-3/4	3/8	-332	.424 ^{+0.010} / _{+0.000}	2.374 ^{+0.000} / _{-0.004}	2.747 ^{+0.000} / _{-0.004}	2.750 ^{+0.003} / _{-0.001}	23.01
PSC-334	2-5/8	3	.255	-334	.280 ^{+0.005} / _{+0.000}	2.625 ^{-0.001} / _{-0.003}	2.997 ^{+0.000} / _{-0.004}	3.000 ^{+0.003} / _{-0.001}	11.30
PSC-334-WB	2-5/8	3	3/8	-334	.424 ^{+0.010} / _{+0.000}	2.625 ^{-0.001} / _{-0.003}	2.997 ^{+0.000} / _{-0.004}	3.000 ^{+0.003} / _{-0.001}	17.39
PSC-334A-WB	2-1/2	3	3/8	N/A	.424 ^{+0.010} / _{+0.000}	2.500 ^{-0.001} / _{-0.003}	2.997 ^{+0.000} / _{-0.004}	3.000 ^{+0.003} / _{-0.001}	18.92
PSC-336	2-7/8	3-1/4	.255	-336	.280 ^{+0.005} / _{+0.000}	2.875 ^{-0.001} / _{-0.005}	3.247 ^{+0.000} / _{-0.004}	3.250 ^{+0.003} / _{-0.001}	17.46
PSC-337	3	3-3/8	.255	-337	.280 ^{+0.005} / _{+0.000}	3.000 ^{+0.000} / _{-0.004}	3.373 ^{+0.000} / _{-0.004}	3.375 ^{+0.004} / _{+0.000}	20.23
PSC-338	3-1/8	3-1/2	.255	-338	.280 ^{+0.005} / _{+0.000}	3.125 ^{+0.000} / _{-0.004}	3.498 ^{+0.000} / _{-0.004}	3.500 ^{+0.004} / _{+0.000}	14.11
PSC-338-WB	3-1/8	3-1/2	3/8	-338	.424 ^{+0.010} / _{+0.000}	3.125 ^{+0.000} / _{-0.004}	3.498 ^{+0.000} / _{-0.004}	3.500 ^{+0.004} / _{+0.000}	17.42
PSC-339	3-1/4	3-5/8	.255	-339	.280 ^{+0.005} / _{+0.000}	3.250 ^{+0.000} / _{-0.004}	3.623 ^{+0.000} / _{-0.004}	3.625 ^{+0.004} / _{+0.000}	21.78
PSC-340	3-3/8	3-3/4	.255	-340	.280 ^{+0.005} / _{+0.000}	3.375 ^{+0.000} / _{-0.004}	3.748 ^{+0.000} / _{-0.004}	3.750 ^{+0.006} / _{+0.002}	15.24
PSC-341	3-1/2	3-7/8	.255	-341	.280 ^{+0.005} / _{+0.000}	3.500 ^{+0.000} / _{-0.004}	3.873 ^{+0.000} / _{-0.004}	3.875 ^{+0.004} / _{+0.000}	24.04
PSC-342	3-5/8	4	.255	-342	.280 ^{+0.005} / _{+0.000}	3.625 ^{+0.000} / _{-0.004}	3.998 ^{+0.000} / _{-0.004}	4.000 ^{+0.004} / _{+0.000}	16.75
PSC-342-WB	3-5/8	4	3/8	-342	.424 ^{+0.010} / _{+0.000}	3.625 ^{+0.000} / _{-0.004}	3.998 ^{+0.000} / _{-0.004}	4.000 ^{+0.004} / _{+0.000}	25.83
PSC-342A-WB	3-1/2	4	3/8	N/A	.424 ^{+0.010} / _{+0.000}	3.500 ^{+0.000} / _{-0.004}	3.998 ^{+0.000} / _{-0.004}	4.000 ^{+0.004} / _{+0.000}	29.37
PSC-344	3-7/8	4-1/4	.255	-344	.280 ^{+0.005} / _{+0.000}	3.875 ^{+0.000} / _{-0.004}	4.248 ^{+0.000} / _{-0.004}	4.250 ^{+0.004} / _{+0.000}	19.11
PSC-346	4-1/8	4-1/2	.255	-346	.280 ^{+0.005} / _{+0.000}	4.125 ^{+0.000} / _{-0.004}	4.498 ^{+0.000} / _{-0.004}	4.500 ^{+0.004} / _{+0.000}	28.14
PSC-347	4-1/4	4-5/8	.255	-347	.280 ^{+0.005} / _{+0.000}	4.250 ^{+0.000} / _{-0.004}	4.623 ^{+0.000} / _{-0.004}	4.625 ^{+0.004} / _{+0.000}	29.27
PSC-350	4-5/8	5	.255	-350	.280 ^{+0.005} / _{+0.000}	4.625 ^{+0.001} / _{-0.003}	4.999 ^{+0.000} / _{-0.004}	5.000 ^{+0.005} / _{+0.001}	27.12
PSC-429	5	5-1/2	.32	-429	.365 ^{+0.006} / _{+0.000}	5.021 ^{+0.000} / _{-0.004}	5.499 ^{+0.000} / _{-0.004}	5.500 ^{+0.005} / _{+0.001}	32.88
PSC-433	5-1/2	6	.32	-433	.365 ^{+0.006} / _{+0.000}	5.521 ^{+0.000} / _{-0.004}	5.999 ^{+0.000} / _{-0.004}	6.000 ^{+0.005} / _{+0.001}	41.21
PSC-433-WB	5-1/2	6	1/2	-433	.579 ^{+0.010} / _{+0.000}	5.521 ^{+0.000} / _{-0.004}	5.999 ^{+0.000} / _{-0.004}	6.000 ^{+0.005} / _{+0.001}	56.68
PSC-437	6	6-1/2	.32	-437	.365 ^{+0.006} / _{+0.000}	6.020 ^{+0.000} / _{-0.006}	6.498 ^{+0.000} / _{-0.006}	6.500 ^{+0.006} / _{+0.000}	44.67
PSC-439	6-1/2	7	.32	-439	.365 ^{+0.006} / _{+0.000}	6.520 ^{+0.000} / _{-0.006}	6.998 ^{+0.000} / _{-0.006}	7.000 ^{+0.006} / _{+0.000}	47.33

STYLE PSC PISTON SEALS

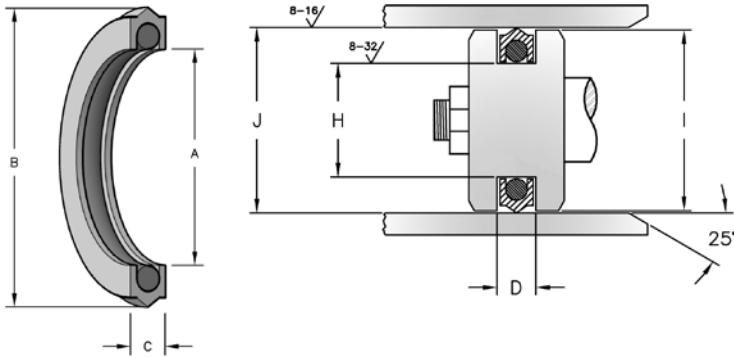


Part Number	A Nom. ID	B Nom. OD	C Nom. Ht	O-RING DASH NUMBER	D GROOVE WIDTH	H GROOVE DIAMETER	I PISTON DIAMETER	J BORE DIAMETER	List Price
PSC-441	7	7-1/2	.32	-441	.365 ⁺⁰⁰⁶ / ₊₀₀₀	7.020 ⁺⁰⁰⁰ / _{-.006}	7.498 ⁺⁰⁰⁰ / _{-.006}	7.500 ⁺⁰⁰⁶ / ₊₀₀₀	53.38
PSC-442	7-1/4	7-3/4	.32	-442	.365 ⁺⁰⁰⁶ / ₊₀₀₀	7.270 ⁺⁰⁰⁰ / _{-.006}	7.748 ⁺⁰⁰⁰ / _{-.006}	7.750 ⁺⁰⁰⁶ / ₊₀₀₀	76.55
PSC-443	7-1/2	8	.32	-443	.365 ⁺⁰⁰⁶ / ₊₀₀₀	7.520 ⁺⁰⁰⁰ / _{-.006}	7.998 ⁺⁰⁰⁰ / _{-.006}	8.000 ⁺⁰⁰⁶ / ₊₀₀₀	55.36
PSC-444	7-3/4	8-1/4	.32	-444	.365 ⁺⁰⁰⁶ / ₊₀₀₀	7.770 ⁺⁰⁰⁰ / _{-.006}	8.248 ⁺⁰⁰⁰ / _{-.006}	8.250 ⁺⁰⁰⁶ / ₊₀₀₀	56.57
PSC-445	8	8-1/2	.32	-445	.365 ⁺⁰⁰⁶ / ₊₀₀₀	8.020 ⁺⁰⁰⁰ / _{-.006}	8.498 ⁺⁰⁰⁰ / _{-.006}	8.500 ⁺⁰⁰⁶ / ₊₀₀₀	59.51
PSC-446	8-1/2	9	.32	-446	.365 ⁺⁰⁰⁶ / ₊₀₀₀	8.520 ⁺⁰⁰⁰ / _{-.006}	8.998 ⁺⁰⁰⁰ / _{-.006}	9.000 ⁺⁰⁰⁶ / ₊₀₀₀	59.66
PSC-447	9	9-1/2	.32	-447	.365 ⁺⁰⁰⁶ / ₊₀₀₀	9.020 ⁺⁰⁰⁰ / _{-.006}	9.498 ⁺⁰⁰⁰ / _{-.006}	9.500 ⁺⁰⁰⁶ / ₊₀₀₀	61.02
PSC-448	9-1/2	10	.32	-448	.365 ⁺⁰⁰⁶ / ₊₀₀₀	9.520 ⁺⁰⁰⁰ / _{-.006}	9.998 ⁺⁰⁰⁰ / _{-.006}	10.000 ⁺⁰⁰⁶ / ₊₀₀₀	68.49
PSC-449	10	10-1/2	.32	-449	.365 ⁺⁰⁰⁶ / ₊₀₀₀	10.020 ⁺⁰⁰⁰ / _{-.006}	10.498 ⁺⁰⁰⁰ / _{-.006}	10.500 ⁺⁰⁰⁶ / ₊₀₀₀	71.18
PSC-450	10-1/2	11	.32	-450	.365 ⁺⁰⁰⁶ / ₊₀₀₀	10.520 ⁺⁰⁰⁰ / _{-.006}	10.998 ⁺⁰⁰⁰ / _{-.006}	11.000 ⁺⁰⁰⁶ / ₊₀₀₀	73.29
PSC-451	11	11-1/2	.32	-451	.365 ⁺⁰⁰⁶ / ₊₀₀₀	11.020 ⁺⁰⁰⁰ / _{-.006}	11.498 ⁺⁰⁰⁰ / _{-.006}	11.500 ⁺⁰⁰⁶ / ₊₀₀₀	105.62
PSC-452	11-1/2	12	.32	-452	.365 ⁺⁰⁰⁶ / ₊₀₀₀	11.520 ⁺⁰⁰⁰ / _{-.006}	11.998 ⁺⁰⁰⁰ / _{-.006}	12.000 ⁺⁰⁰⁶ / ₊₀₀₀	118.27
PSC-456	13-1/2	14	.32	-456	.365 ⁺⁰⁰⁶ / ₊₀₀₀	13.520 ⁺⁰⁰⁰ / _{-.006}	13.998 ⁺⁰⁰⁰ / _{-.006}	14.000 ⁺⁰⁰⁶ / ₊₀₀₀	153.68

STYLE PSC PISTON SEALS - FLUOROTREL COMPOUND

These Style PSC are molded from Fluorotrel which is a tough, wear-resistant material able to run at temperatures up to 275° F. Fluorotrel is also resistant to fluids that are incompatible with polyurethane such as water, glycol, water in oil, mineral oil and petroleum.

NOTE: Piston diameter "I" dimensions are given for pistons without wear rings.



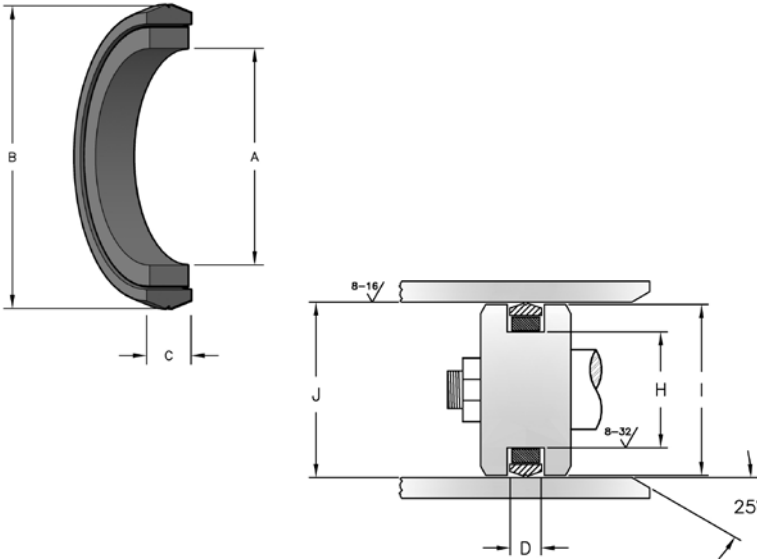
SEAL INFORMATION	
MATERIAL	55D FLUOROTREL SEAL 70A NITRILE ENERGIZER
TEMPERATURE RANGE	-40° TO +235° F
PRESSURE RANGE	0 TO 5,000 PSI
SPEED	3 FT/SEC
PART NUMBER	(Prefix) - (O-Ring Size) - (Fluorotrel)

Part Number	A Nom. ID	B Nom. OD	C Nom. Ht	O-RING DASH NUMBER	D GROOVE WIDTH	H GROOVE DIAMETER	I PISTON DIAMETER	J BORE DIAMETER	List Price
PSC-222F	1-1/2	1-3/4	.15	-222	.185 +.005 +.000	1.504 +.000 -.002	1.748 +.000 -.002	1.750 +.002 +.000	\$9.47
PSC-326F	1-5/8	2	.255	-326	.280 +.005 +.000	1.625 +.000 -.002	1.998 +.000 -.002	2.000 +.002 +.000	10.72
PSC-328F	1-7/8	2-1/4	.255	-328	.280 +.005 +.000	1.875 +.000 -.002	2.248 +.000 -.002	2.250 +.002 +.000	12.51
PSC-330F	2-1/8	2-1/2	.255	-330	.280 +.005 +.000	2.125 +.000 -.002	2.498 +.000 -.002	2.500 +.002 +.000	14.25
PSC-332F	2-3/8	2-3/4	.255	-332	.280 +.005 +.000	2.374 +.000 -.004	2.747 +.000 -.004	2.749 +.004 +.000	15.48
PSC-333F	2-1/2	2-7/8	.255	-333	.280 +.005 +.000	2.499 +.000 -.004	2.872 +.000 -.004	2.874 +.004 +.000	15.92
PSC-334F	2-5/8	3	.255	-334	.280 +.005 +.000	2.625 -.001 -.003	2.997 +.000 -.004	3.000 +.003 -.001	16.64
PSC-335F	2-3/4	3-1/8	.255	-335	.280 +.005 +.000	2.750 -.001 -.005	3.122 +.000 -.004	3.125 +.003 -.001	17.40
PSC-338F	3-1/8	3-1/2	.255	-338	.280 +.005 +.000	3.125 +.000 -.004	3.498 +.000 -.004	3.500 +.004 +.000	19.65
PSC-340F	3-3/8	3-3/4	.255	-340	.280 +.005 +.000	3.375 +.000 -.004	3.748 +.000 -.004	3.752 +.004 +.000	21.43
PSC-342F	3-5/8	4	.255	-342	.280 +.005 +.000	3.625 +.000 -.004	3.998 +.000 -.004	4.000 +.004 +.000	23.84
PSC-343F	3-3/4	4-1/8	.255	-343	.280 +.005 +.000	3.750 +.000 -.004	4.123 +.000 -.004	4.125 +.004 +.000	24.38
PSC-346F	4-1/8	4-1/2	.255	-346	.280 +.005 +.000	4.125 +.000 -.004	4.498 +.000 -.004	4.500 +.004 +.000	29.09
PSC-350F	4-5/8	5	.255	-350	.280 +.005 +.000	4.625 +.001 -.003	4.999 +.000 -.004	5.000 +.005 +.001	35.71
PSC-433F	5-1/2	6	.32	-433	.365 +.006 +.000	5.521 +.000 -.004	5.999 +.000 -.004	6.001 +.004 +.000	51.73

STYLE PSM URETHANE PISTON SEALS



Molded from 93 Shore A polyurethane with a 70 Shore A energizer, this seal utilizes the same groove dimensions as a standard o-ring or T-seal. One or two Style 575 back-up rings may be used for wider grooves. Extrusion resistant by design, this seal is also resistant to rolling and twisting. Installation is an easy two step snap-in procedure with no need to re-size before insertion into the bore. **NOTE:** Piston diameter "I" dimensions are given for pistons without wear rings.



SEAL INFORMATION	
MATERIAL	93A URETHANE SEAL 70A NITRILE ENERGIZER
TEMPERATURE RANGE	-65° TO +220° F
PRESSURE RANGE	0 TO 5,000 PSI
SPEED	3 FT/SEC
PART NUMBER	(Prefix) - (Size)

Part Number	A Nom. ID	B Nom. OD	C Nom. Ht	O-RING DASH NUMBER	D GROOVE WIDTH	H GROOVE DIAMETER	I PISTON DIAMETER	J BORE DIAMETER	List Price
PSM-218F	1-1/4	1-1/2	.15	-218	.185 ^{+0.005} / _{+0.000}	1.254 ^{+0.000} / _{-0.002}	1.498 ^{+0.000} / _{-0.002}	1.500 ^{+0.002} / _{+0.000}	\$7.89
PSM-218	1-1/4	1-1/2	.165	-218	.185 ^{+0.005} / _{+0.000}	1.254 ^{+0.000} / _{-0.002}	1.498 ^{+0.000} / _{-0.002}	1.500 ^{+0.002} / _{+0.000}	6.04
PSM-218-WB	1-1/4	1-1/2	.265	-218	.275 ^{+0.005} / _{+0.000}	1.258 ^{+0.000} / _{-0.002}	1.497 ^{+0.000} / _{-0.001}	1.500 ^{+0.003} / _{+0.000}	7.95
PSM-222	1-1/2	1-3/4	.165	-222	.185 ^{+0.005} / _{+0.000}	1.504 ^{+0.000} / _{-0.002}	1.748 ^{+0.000} / _{-0.002}	1.750 ^{+0.002} / _{+0.000}	7.00
PSM-326	1-5/8	2	.265	-326	.280 ^{+0.005} / _{+0.000}	1.625 ^{+0.000} / _{-0.002}	1.998 ^{+0.000} / _{-0.002}	2.000 ^{+0.002} / _{+0.000}	8.22
PSM-326-WB	1-5/8	2	.395	-326	.410 ^{+0.005} / _{+0.000}	1.630 ^{+0.000} / _{-0.003}	1.997 ^{+0.000} / _{-0.001}	2.000 ^{+0.003} / _{+0.000}	10.17
PSM-328	1-7/8	2-1/4	.265	-328	.280 ^{+0.005} / _{+0.000}	1.875 ^{+0.000} / _{-0.002}	2.248 ^{+0.000} / _{-0.002}	2.250 ^{+0.002} / _{+0.000}	8.96
PSM-329	2	2-3/8	.265	-329	.280 ^{+0.005} / _{+0.000}	2.000 ^{+0.000} / _{-0.002}	2.373 ^{+0.000} / _{-0.002}	2.375 ^{+0.002} / _{+0.000}	8.96
PSM-330	2-1/8	2-1/2	.265	-330	.280 ^{+0.005} / _{+0.000}	2.125 ^{+0.000} / _{-0.002}	2.498 ^{+0.000} / _{-0.002}	2.500 ^{+0.002} / _{+0.000}	10.15
PSM-330-WB	2-1/8	2-1/2	.395	-330	.410 ^{+0.005} / _{+0.000}	2.130 ^{+0.000} / _{-0.003}	2.497 ^{+0.000} / _{-0.001}	2.500 ^{+0.003} / _{+0.000}	13.62
PSM-332	2-3/8	2-3/4	.265	-332	.280 ^{+0.005} / _{+0.000}	2.374 ^{+0.000} / _{-0.004}	2.747 ^{+0.000} / _{-0.004}	2.749 ^{+0.004} / _{+0.000}	10.93
PSM-48A	2-3/8	3	.235	N/A	.250 ^{+0.005} / _{+0.000}	2.380 ^{+0.000} / _{-0.004}	2.997 ^{+0.000} / _{-0.004}	3.000 ^{+0.004} / _{+0.000}	40.01
PSM-334	2-5/8	3	.265	-334	.280 ^{+0.005} / _{+0.000}	2.624 ^{+0.000} / _{-0.002}	2.997 ^{+0.000} / _{-0.004}	2.999 ^{+0.004} / _{+0.000}	12.12
PSM-334-WB	2-5/8	3	.395	-334	.410 ^{+0.005} / _{+0.000}	2.630 ^{+0.000} / _{-0.004}	2.997 ^{+0.000} / _{-0.001}	3.000 ^{+0.004} / _{+0.000}	15.78
PSM-336	2-7/8	3-1/4	.265	-336	.280 ^{+0.005} / _{+0.000}	2.874 ^{+0.000} / _{-0.004}	3.247 ^{+0.000} / _{-0.004}	3.250 ^{+0.003} / _{-0.001}	12.12
PSM-338	3-1/8	3-1/2	.265	-338	.280 ^{+0.005} / _{+0.000}	3.125 ^{+0.000} / _{-0.004}	3.498 ^{+0.000} / _{-0.004}	3.500 ^{+0.004} / _{+0.000}	14.08
PSM-338-WB	3-1/8	3-1/2	.395	-338	.410 ^{+0.005} / _{+0.000}	3.130 ^{+0.000} / _{-0.004}	3.497 ^{+0.000} / _{-0.001}	3.500 ^{+0.004} / _{+0.000}	18.69

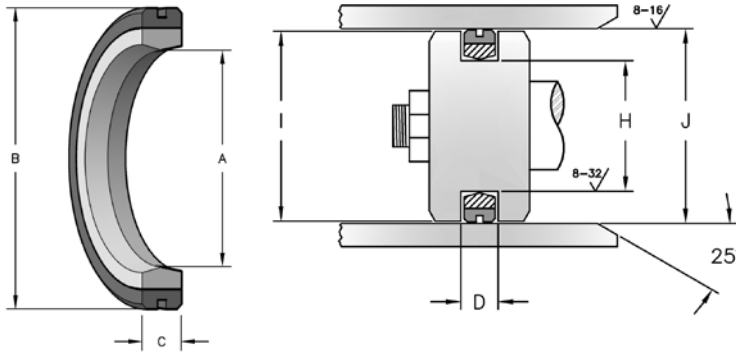
STYLE PSM URETHANE PISTON SEALS

Part Number	A Nom. ID	B Nom. OD	C Nom. Ht	O-RING DASH NUMBER	D GROOVE WIDTH	H GROOVE DIAMETER	I PISTON DIAMETER	J BORE DIAMETER	List Price
PSM-340	3-3/8	3-3/4	.265	-340	.280 ⁺⁰⁰⁵ / ₊₀₀₀	3.375 ⁺⁰⁰⁰ / _{-.004}	3.748 ⁺⁰⁰⁰ / _{-.004}	3.752 ⁺⁰⁰⁴ / ₊₀₀₀	15.63
PSM-342	3-5/8	4	.265	-342	.280 ⁺⁰⁰⁵ / ₊₀₀₀	3.625 ⁺⁰⁰⁰ / _{-.004}	3.998 ⁺⁰⁰⁰ / _{-.004}	4.000 ⁺⁰⁰⁴ / ₊₀₀₀	17.92
PSM-342-WB	3-5/8	4	.395	-342	.410 ⁺⁰⁰⁵ / ₊₀₀₀	3.630 ⁺⁰⁰⁰ / _{-.004}	3.997 ⁺⁰⁰⁰ / _{-.001}	4.000 ⁺⁰⁰⁴ / ₊₀₀₀	22.63
PSM-344	3-7/8	4-1/4	.265	-344	.280 ⁺⁰⁰⁵ / ₊₀₀₀	3.875 ⁺⁰⁰⁰ / _{-.004}	4.248 ⁺⁰⁰⁰ / _{-.004}	4.250 ⁺⁰⁰⁴ / ₊₀₀₀	19.51
PSM-346	4-1/8	4-1/2	.265	-346	.280 ⁺⁰⁰⁵ / ₊₀₀₀	4.125 ⁺⁰⁰⁰ / _{-.004}	4.498 ⁺⁰⁰⁰ / _{-.004}	4.500 ⁺⁰⁰⁴ / ₊₀₀₀	20.24
PSM-350	4-5/8	5	.265	-350	.280 ⁺⁰⁰⁵ / ₊₀₀₀	4.626 ⁺⁰⁰⁰ / _{-.004}	4.999 ⁺⁰⁰⁰ / _{-.004}	5.001 ⁺⁰⁰⁴ / ₊₀₀₀	28.80
PSM-425-WB	4-1/2	5	.518	-425	.538 ⁺⁰⁰⁵ / ₊₀₀₀	4.528 ⁺⁰⁰⁰ / _{-.004}	4.997 ⁺⁰⁰⁰ / _{-.001}	5.000 ⁺⁰⁰⁴ / ₊₀₀₀	34.08
PSM-429	5	5-1/2	.35	-429	.365 ⁺⁰⁰⁶ / ₊₀₀₀	5.021 ⁺⁰⁰⁰ / _{-.004}	5.499 ⁺⁰⁰⁰ / _{-.004}	5.501 ⁺⁰⁰⁴ / ₊₀₀₀	33.88
PSM-433	5-1/2	6	.35	-433	.365 ⁺⁰⁰⁶ / ₊₀₀₀	5.521 ⁺⁰⁰⁰ / _{-.004}	5.999 ⁺⁰⁰⁰ / _{-.004}	6.001 ⁺⁰⁰⁴ / ₊₀₀₀	37.07
PSM-433-WB	5-1/2	6	.518	-433	.538 ⁺⁰⁰⁵ / ₊₀₀₀	5.528 ⁺⁰⁰⁰ / _{-.004}	5.997 ⁺⁰⁰⁰ / _{-.001}	6.000 ⁺⁰⁰⁴ / ₊₀₀₀	46.16
PSM-437	6	6-1/2	.35	-437	.365 ⁺⁰⁰⁶ / ₊₀₀₀	6.020 ⁺⁰⁰⁰ / _{-.006}	6.498 ⁺⁰⁰⁰ / _{-.006}	6.500 ⁺⁰⁰⁶ / ₊₀₀₀	39.36
PSM-439	6-1/2	7	.35	-439	.365 ⁺⁰⁰⁶ / ₊₀₀₀	6.520 ⁺⁰⁰⁰ / _{-.006}	6.998 ⁺⁰⁰⁰ / _{-.006}	7.000 ⁺⁰⁰⁶ / ₊₀₀₀	42.06
PSM-441	7	7-1/2	.35	-441	.365 ⁺⁰⁰⁶ / ₊₀₀₀	7.020 ⁺⁰⁰⁰ / _{-.006}	7.498 ⁺⁰⁰⁰ / _{-.006}	7.500 ⁺⁰⁰⁶ / ₊₀₀₀	44.36
PSM-443	7-1/2	8	.35	-443	.365 ⁺⁰⁰⁶ / ₊₀₀₀	7.520 ⁺⁰⁰⁰ / _{-.006}	7.998 ⁺⁰⁰⁰ / _{-.006}	8.000 ⁺⁰⁰⁶ / ₊₀₀₀	46.76
PSM-445	8	8-1/2	.35	-445	.365 ⁺⁰⁰⁶ / ₊₀₀₀	8.020 ⁺⁰⁰⁰ / _{-.006}	8.498 ⁺⁰⁰⁰ / _{-.006}	8.500 ⁺⁰⁰⁶ / ₊₀₀₀	49.06
PSM-446	8-1/2	9	.35	-446	.365 ⁺⁰⁰⁶ / ₊₀₀₀	8.520 ⁺⁰⁰⁰ / _{-.006}	8.998 ⁺⁰⁰⁰ / _{-.006}	9.000 ⁺⁰⁰⁶ / ₊₀₀₀	49.06

STYLE PSU PISTON SEALS



Our Style PSU piston seal, or uniring, is a laminated one piece double acting seal made of cast polyurethane. The tough outer layer is highly resistant to abrasion and is impregnated with molybdenum disulfide to reduce friction. The softer inner layer acts as a static seal and also energizes the OD to make full contact with the bore. This seal may be used to replace an existing Uniring or other seals of the same dimensions -- O-rings, O-rings with back-ups, T-seals, U-seals, etc. **NOTE:** Piston diameter "I" dimensions are given for pistons without wear rings.



SEAL INFORMATION	
MATERIAL	60D & 57A URETHANE COMPOSITE
TEMPERATURE RANGE	-65° TO +220° F
PRESSURE RANGE	0 TO 5,000 PSI
SPEED	3 FT/SEC
PART NUMBER	(Prefix) - (OD) X (ID) X (Groove Width)

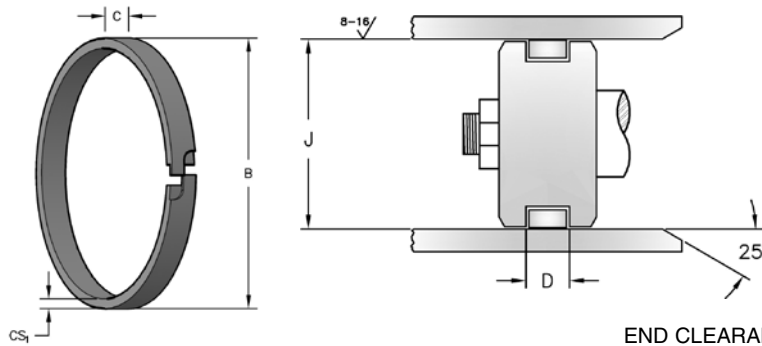
Part Number	A Nom. ID	B Nom. OD	C Nom. Ht	D GROOVE WIDTH	H GROOVE DIAMETER	I PISTON DIAMETER	J BORE DIAMETER	List Price
PSU-1.50X1.25X.187	1-1/4	1-1/2	.187	.196 ^{+0.015} / _{+0.000}	1.250 ^{+0.003} / _{+0.000}	1.499 ^{+0.000} / _{-.004}	1.500 ^{+0.003} / _{+0.000}	\$4.66
PSU-1.50X1.12X.250	1-1/8	1-1/2	1/4	.263 ^{+0.015} / _{+0.000}	1.125 ^{+0.004} / _{+0.000}	1.499 ^{+0.000} / _{-.004}	1.500 ^{+0.004} / _{+0.000}	6.26
PSU-1.50X1.00X.375	1	1-1/2	3/8	.394 ^{+0.015} / _{+0.000}	1.000 ^{+0.005} / _{+0.000}	1.499 ^{+0.000} / _{-.004}	1.500 ^{+0.006} / _{+0.000}	8.32
PSU-1.75X1.37X.250	1-3/8	1-3/4	1/4	.263 ^{+0.015} / _{+0.000}	1.375 ^{+0.004} / _{+0.000}	1.749 ^{+0.000} / _{-.004}	1.750 ^{+0.004} / _{+0.000}	6.39
PSU-1.75X1.25X.375	1-1/4	1-3/4	3/8	.394 ^{+0.015} / _{+0.000}	1.250 ^{+0.005} / _{+0.000}	1.749 ^{+0.000} / _{-.004}	1.750 ^{+0.006} / _{+0.000}	8.70
PSU-1.75X1.37X.500	1-3/8	1-3/4	1/2	.526 ^{+0.015} / _{+0.000}	1.375 ^{+0.004} / _{+0.000}	1.749 ^{+0.000} / _{-.004}	1.750 ^{+0.004} / _{+0.000}	11.28
PSU-2.00X1.62X.312	1-5/8	2	.312	.328 ^{+0.015} / _{+0.000}	1.625 ^{+0.004} / _{+0.000}	1.999 ^{+0.000} / _{-.004}	2.000 ^{+0.004} / _{+0.000}	8.08
PSU-2.00X1.50X.375	1-1/2	2	3/8	.394 ^{+0.015} / _{+0.000}	1.500 ^{+0.005} / _{+0.000}	1.999 ^{+0.000} / _{-.004}	2.000 ^{+0.006} / _{+0.000}	10.22
PSU-2.00X1.62X.375	1-5/8	2	3/8	.394 ^{+0.015} / _{+0.000}	1.625 ^{+0.004} / _{+0.000}	1.999 ^{+0.000} / _{-.004}	2.000 ^{+0.004} / _{+0.000}	9.28
PSU-2.25X1.87X.312	1-7/8	2-1/4	.312	.328 ^{+0.015} / _{+0.000}	1.875 ^{+0.004} / _{+0.000}	2.249 ^{+0.000} / _{-.004}	2.250 ^{+0.004} / _{+0.000}	10.02
PSU-2.50X2.12X.312	2-1/8	2-1/2	.312	.328 ^{+0.015} / _{+0.000}	2.125 ^{+0.004} / _{+0.000}	2.499 ^{+0.000} / _{-.004}	2.500 ^{+0.004} / _{+0.000}	8.89
PSU-2.50X2.00X.375	2	2-1/2	3/8	.394 ^{+0.015} / _{+0.000}	2.000 ^{+0.005} / _{+0.000}	2.499 ^{+0.000} / _{-.004}	2.500 ^{+0.006} / _{+0.000}	10.02
PSU-2.50X2.12X.375	2-1/8	2-1/2	3/8	.394 ^{+0.015} / _{+0.000}	2.125 ^{+0.004} / _{+0.000}	2.499 ^{+0.000} / _{-.004}	2.500 ^{+0.004} / _{+0.000}	9.94
PSU-2.75X2.37X.312	2-3/8	2-3/4	.312	.328 ^{+0.015} / _{+0.000}	2.375 ^{+0.004} / _{+0.000}	2.749 ^{+0.000} / _{-.004}	2.750 ^{+0.004} / _{+0.000}	9.76
PSU-3.00X2.62X.312	2-5/8	3	.312	.328 ^{+0.015} / _{+0.000}	2.625 ^{+0.004} / _{+0.000}	2.999 ^{+0.000} / _{-.004}	3.000 ^{+0.004} / _{+0.000}	10.62
PSU-3.00X2.50X.375	2-1/2	3	3/8	.394 ^{+0.015} / _{+0.000}	2.500 ^{+0.005} / _{+0.000}	2.999 ^{+0.000} / _{-.004}	3.000 ^{+0.006} / _{+0.000}	10.62
PSU-3.00X2.62X.375	2-5/8	3	3/8	.394 ^{+0.015} / _{+0.000}	2.625 ^{+0.004} / _{+0.000}	2.999 ^{+0.000} / _{-.004}	3.000 ^{+0.004} / _{+0.000}	10.62
PSU-3.00X2.50X.500	2-1/2	3	1/2	.526 ^{+0.015} / _{+0.000}	2.500 ^{+0.005} / _{+0.000}	2.999 ^{+0.000} / _{-.004}	3.000 ^{+0.006} / _{+0.000}	21.65
PSU-3.25X2.87X.312	2-7/8	3-1/4	.312	.328 ^{+0.015} / _{+0.000}	2.875 ^{+0.004} / _{+0.000}	3.249 ^{+0.000} / _{-.004}	3.250 ^{+0.004} / _{+0.000}	10.88



STYLE PSU PISTON SEALS

Part Number	A Nom. ID	B Nom. OD	C Nom. Ht	D GROOVE WIDTH	H GROOVE DIAMETER	I PISTON DIAMETER	J BORE DIAMETER	List Price
PSU-3.25X2.75X.550	2-3/4	3-1/4	.55	.577 ^{+0.015} / _{+0.000}	2.750 ^{+0.005} / _{+0.000}	3.249 ^{+0.000} / _{-.004}	3.250 ^{+0.006} / _{+0.000}	17.11
PSU-3.50X3.12X.312	3-1/8	3-1/2	.312	.328 ^{+0.015} / _{+0.000}	3.125 ^{+0.004} / _{+0.000}	3.499 ^{+0.000} / _{-.004}	3.500 ^{+0.004} / _{+0.000}	11.19
PSU-3.50X3.00X.375	3	3-1/2	3/8	.394 ^{+0.015} / _{+0.000}	3.000 ^{+0.005} / _{+0.000}	3.499 ^{+0.000} / _{-.004}	3.500 ^{+0.006} / _{+0.000}	11.94
PSU-3.50X3.12X.375	3-1/8	3-1/2	3/8	.394 ^{+0.015} / _{+0.000}	3.125 ^{+0.004} / _{+0.000}	3.499 ^{+0.000} / _{-.004}	3.500 ^{+0.004} / _{+0.000}	11.37
PSU-3.75X3.37X.312	3-3/8	3-3/4	.312	.328 ^{+0.015} / _{+0.000}	3.375 ^{+0.004} / _{+0.000}	3.749 ^{+0.000} / _{-.004}	3.750 ^{+0.004} / _{+0.000}	11.61
PSU-4.00X3.50X.375	3-1/2	4	3/8	.394 ^{+0.015} / _{+0.000}	3.500 ^{+0.005} / _{+0.000}	3.999 ^{+0.000} / _{-.004}	4.000 ^{+0.006} / _{+0.000}	17.58
PSU-4.00X3.62X.375	3-5/8	4	3/8	.394 ^{+0.015} / _{+0.000}	3.625 ^{+0.004} / _{+0.000}	3.999 ^{+0.000} / _{-.004}	4.000 ^{+0.004} / _{+0.000}	12.11
PSU-4.50X4.00X.375	4	4-1/2	3/8	.394 ^{+0.015} / _{+0.000}	4.000 ^{+0.005} / _{+0.000}	4.499 ^{+0.000} / _{-.004}	4.500 ^{+0.006} / _{+0.000}	14.61
PSU-4.50X4.00X.562	4	4-1/2	.562	.591 ^{+0.015} / _{+0.000}	4.000 ^{+0.005} / _{+0.000}	4.499 ^{+0.000} / _{-.004}	4.500 ^{+0.006} / _{+0.000}	20.81
PSU-5.00X4.50X.375	4-1/2	5	3/8	.394 ^{+0.015} / _{+0.000}	4.500 ^{+0.005} / _{+0.000}	4.999 ^{+0.000} / _{-.004}	5.000 ^{+0.006} / _{+0.000}	15.94
PSU-5.00X4.37X.500	4-3/8	5	1/2	.526 ^{+0.015} / _{+0.000}	4.375 ^{+0.006} / _{+0.000}	4.999 ^{+0.000} / _{-.004}	5.000 ^{+0.006} / _{+0.000}	38.88
PSU-5.00X4.50X.500	4-1/2	5	1/2	.526 ^{+0.015} / _{+0.000}	4.500 ^{+0.005} / _{+0.000}	4.999 ^{+0.000} / _{-.004}	5.000 ^{+0.006} / _{+0.000}	26.27
PSU-5.00X4.50X.562	4-1/2	5	.562	.591 ^{+0.015} / _{+0.000}	4.500 ^{+0.005} / _{+0.000}	4.999 ^{+0.000} / _{-.004}	5.000 ^{+0.006} / _{+0.000}	26.27
PSU-5.25X4.75X.562	4-3/4	5-1/4	.562	.591 ^{+0.015} / _{+0.000}	4.750 ^{+0.005} / _{+0.000}	5.249 ^{+0.000} / _{-.004}	5.250 ^{+0.006} / _{+0.000}	26.51
PSU-5.50X5.00X.375	5	5-1/2	3/8	.394 ^{+0.015} / _{+0.000}	5.000 ^{+0.005} / _{+0.000}	5.499 ^{+0.000} / _{-.004}	5.500 ^{+0.006} / _{+0.000}	33.40
PSU-6.00X5.50X.375	5-1/2	6	3/8	.394 ^{+0.015} / _{+0.000}	5.500 ^{+0.005} / _{+0.000}	5.999 ^{+0.000} / _{-.004}	6.000 ^{+0.006} / _{+0.000}	36.28
PSU-6.00X5.50X.562	5-1/2	6	.562	.591 ^{+0.015} / _{+0.000}	5.500 ^{+0.005} / _{+0.000}	5.999 ^{+0.000} / _{-.004}	6.000 ^{+0.006} / _{+0.000}	36.28
PSU-6.50X6.00X.562	6	6-1/2	.562	.591 ^{+0.015} / _{+0.000}	6.000 ^{+0.005} / _{+0.000}	6.499 ^{+0.000} / _{-.004}	6.500 ^{+0.006} / _{+0.000}	36.69

STYLE SPR IRON PISTON RINGS

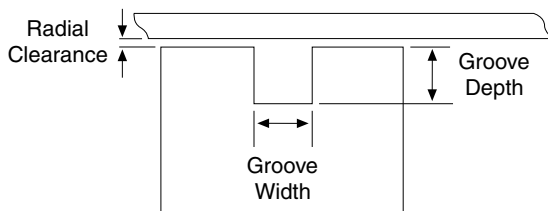


BC = Butt Cut
H = Hook Joint

SEAL INFORMATION	
MATERIAL	IRON
PART NUMBER	(Prefix) - (OD)

END CLEARANCE

End clearance on piston rings depends on ring design, material and application. The following end clearances are provided as a standard for hydraulic cylinder applications.



DIAMETER	BUTT & ANGLE CUT END CLEARANCE	OVERLAPPING JOINT & STEP CUT END CLEARANCE
.500-4.561	.003/.010	.005/.015
4.562-19.970	.005/.015	.010/.020
19.971-30.500	.010/.025	.015/.030

When using iron piston rings, it is crucial to use the correct groove design for proper performance of the cylinder. Please use the following guidelines when cutting an iron piston ring groove.

GROOVE WIDTH: To permit the ring to slide freely into the groove, the groove must be at least 0.001" wider than the maximum piston ring width with a tolerance of +0.003"/-0.000".

GROOVE DEPTH: Grooves must be at least 0.015" deeper than the maximum radial wall thickness of the piston ring with a tolerance of +0.003"/-0.000". This is to avoid any possibility of the ring bottoming in the groove when the ring is compressed to its working diameter.

RADIAL CLEARANCE: The radial clearance between the cylinder bore and piston should be less than 1/3 of the radial wall thickness of the piston ring to ensure sealing effectiveness.

Part Number	B Nom. OD	C Nom. Ht	D GROOVE WIDTH	J BORE DIAMETER	C HEIGHT	CS ₁ RING CROSS SECTION	List Price
SPR-1001	1	3/32	.095 ^{+0.003} / _{+0.000}	1.000	.0935 ^{+0.000} / _{-.001}	.055 ^{+0.000} / _{-.010}	\$17.59
SPR-1000	1	1/8	.1255 ^{+0.003} / _{+0.000}	1.000	.124 ^{+0.000} / _{-.001}	.055 ^{+0.000} / _{-.010}	11.69
SPR-1375-H	1-3/8	.0975	.0985 ^{+0.003} / _{+0.000}	1.375	.0975 ^{+0.000} / _{-.001}	.060 ^{+0.000} / _{-.010}	30.86
SPR-1501	1-1/2	3/32	.095 ^{+0.003} / _{+0.000}	1.500	.0935 ^{+0.000} / _{-.001}	.067 ^{+0.000} / _{-.015}	22.83
SPR-1500	1-1/2	1/8	.1255 ^{+0.003} / _{+0.000}	1.500	.124 ^{+0.000} / _{-.001}	.067 ^{+0.000} / _{-.015}	7.05
SPR-1530	1.53	1/8	.1255 ^{+0.003} / _{+0.000}	1.530	.124 ^{+0.000} / _{-.001}	.060 ^{+0.000} / _{-.010}	9.02
SPR-1751	1-3/4	3/32	.095 ^{+0.003} / _{+0.000}	1.750	.0935 ^{+0.000} / _{-.001}	.075 ^{+0.000} / _{-.015}	9.96
SPR-1750	1-3/4	1/8	.1255 ^{+0.003} / _{+0.000}	1.750	.124 ^{+0.000} / _{-.001}	.075 ^{+0.000} / _{-.015}	9.96

STYLE SPR IRON PISTON RINGS

Part Number	B Nom. OD	C Nom. Ht	D GROOVE WIDTH	J BORE DIAMETER	C HEIGHT	CS ₁ RING CROSS SECTION	List Price
SPR-1875	1-7/8	1/8	.1255 ^{+0.003} / _{+0.000}	1.875	.124 ^{+0.000} / _{-0.001}	.075 ^{+0.000} / _{-0.015}	15.46
SPR-2003	2	3/32	.095 ^{+0.003} / _{+0.000}	2.000	.0935 ^{+0.000} / _{-0.001}	.097 ^{+0.000} / _{-0.015}	12.41
SPR-2000	2	1/8	.1255 ^{+0.003} / _{+0.000}	2.000	.124 ^{+0.000} / _{-0.001}	.075 ^{+0.000} / _{-0.015}	10.66
SPR-2006	2	1/8	.1255 ^{+0.003} / _{+0.000}	2.000	.124 ^{+0.000} / _{-0.001}	.087 ^{+0.000} / _{-0.010}	12.41
SPR-2001	2	3/16	.188 ^{+0.003} / _{+0.000}	2.000	.1865 ^{+0.000} / _{-0.001}	.075 ^{+0.000} / _{-0.015}	10.32
SPR-2002	2	1/4	.2505 ^{+0.003} / _{+0.000}	2.000	.249 ^{+0.000} / _{-0.001}	.075 ^{+0.000} / _{-0.015}	12.88
SPR-2030	2.03	1/8	.1255 ^{+0.003} / _{+0.000}	2.030	.124 ^{+0.000} / _{-0.001}	.095 ^{+0.000} / _{-0.030}	12.41
SPR-2126	2-1/8	1/8	.1255 ^{+0.003} / _{+0.000}	2.125	.124 ^{+0.000} / _{-0.001}	.080 ^{+0.000} / _{-0.015}	12.53
SPR-2125	2-1/8	3/16	.188 ^{+0.003} / _{+0.000}	2.125	.1865 ^{+0.000} / _{-0.001}	.080 ^{+0.000} / _{-0.015}	12.17
SPR-2251	2-1/4	1/8	.1255 ^{+0.003} / _{+0.000}	2.250	.124 ^{+0.000} / _{-0.001}	.085 ^{+0.000} / _{-0.008}	12.15
SPR-2250	2-1/4	3/16	.188 ^{+0.003} / _{+0.000}	2.250	.1865 ^{+0.000} / _{-0.001}	.085 ^{+0.000} / _{-0.015}	12.53
SPR-2254	2-1/4	1/4	.2505 ^{+0.003} / _{+0.000}	2.250	.249 ^{+0.000} / _{-0.001}	.085 ^{+0.000} / _{-0.015}	13.48
SPR-2376	2-3/8	3/16	.188 ^{+0.003} / _{+0.000}	2.375	.1865 ^{+0.000} / _{-0.001}	.091 ^{+0.000} / _{-0.015}	13.48
SPR-2500	2-1/2	1/8	.1255 ^{+0.003} / _{+0.000}	2.500	.124 ^{+0.000} / _{-0.001}	.097 ^{+0.000} / _{-0.015}	10.01
SPR-2503	2-1/2	1/8	.1255 ^{+0.003} / _{+0.000}	2.500	.124 ^{+0.000} / _{-0.001}	.118 ^{+0.000} / _{-0.015}	14.02
SPR-2501	2-1/2	3/16	.188 ^{+0.003} / _{+0.000}	2.500	.1865 ^{+0.000} / _{-0.001}	.097 ^{+0.000} / _{-0.015}	10.01
SPR-2502	2-1/2	1/4	.2505 ^{+0.003} / _{+0.000}	2.500	.249 ^{+0.000} / _{-0.001}	.097 ^{+0.000} / _{-0.015}	10.39
SPR-2530	2.53	1/8	.1255 ^{+0.003} / _{+0.000}	2.530	.124 ^{+0.000} / _{-0.001}	.095 ^{+0.000} / _{-0.030}	10.39
SPR-2625	2-5/8	3/16	.188 ^{+0.003} / _{+0.000}	2.625	.1865 ^{+0.000} / _{-0.001}	.102 ^{+0.000} / _{-0.015}	13.37
SPR-2752	2-3/4	5/32	.1565 ^{+0.003} / _{+0.000}	2.750	.156 ^{+0.000} / _{-0.001}	.125 ^{+0.000} / _{-0.025}	10.54
SPR-2750	2-3/4	3/16	.188 ^{+0.003} / _{+0.000}	2.750	.1865 ^{+0.000} / _{-0.001}	.106 ^{+0.000} / _{-0.015}	12.41
SPR-2754	2-3/4	3/16	.188 ^{+0.003} / _{+0.000}	2.750	.187 ^{+0.000} / _{-0.001}	.118 ^{+0.000} / _{-0.015}	17.59
SPR-2755	2.755	.119	.120 ^{+0.003} / _{+0.000}	2.755	.119 ^{+0.000} / _{-0.001}	.124 ^{+0.000} / _{-0.015}	14.16
SPR-2875	2-7/8	3/16	.188 ^{+0.003} / _{+0.000}	2.875	.1865 ^{+0.000} / _{-0.001}	.108 ^{+0.000} / _{-0.015}	10.54
SPR-3000	3	3/16	.188 ^{+0.003} / _{+0.000}	3.000	.1865 ^{+0.000} / _{-0.001}	.110 ^{+0.000} / _{-0.015}	10.41
SPR-3001	3	1/4	.2505 ^{+0.003} / _{+0.000}	3.000	.249 ^{+0.000} / _{-0.001}	.110 ^{+0.000} / _{-0.015}	10.80
SPR-3003	3	5/16	.313 ^{+0.003} / _{+0.000}	3.000	.311 ^{+0.000} / _{-0.001}	.110 ^{+0.000} / _{-0.015}	10.87
SPR-3120	3-1/8	3/16	.188 ^{+0.003} / _{+0.000}	3.125	.1865 ^{+0.000} / _{-0.001}	.115 ^{+0.000} / _{-0.015}	12.81
SPR-3251	3-1/4	1/8	.1255 ^{+0.003} / _{+0.000}	3.250	.124 ^{+0.000} / _{-0.001}	.118 ^{+0.000} / _{-0.015}	10.41
SPR-3253	3-1/4	5/32	.1565 ^{+0.003} / _{+0.000}	3.250	.1555 ^{+0.000} / _{-0.001}	.134 ^{+0.000} / _{-0.013}	10.94

STYLE SPR IRON PISTON RINGS

Part Number	B Nom. OD	C Nom. Ht	D GROOVE WIDTH	J BORE DIAMETER	C HEIGHT	CS ₁ RING CROSS SECTION	List Price
SPR-3250	3-1/4	3/16	.188 ^{+0.003} / _{+0.000}	3.250	.1865 ^{+0.000} / _{-0.001}	.118 ^{+0.000} / _{-0.015}	10.41
SPR-3255	3-1/4	3/16	.188 ^{+0.003} / _{+0.000}	3.250	.1865 ^{+0.000} / _{-0.001}	.138 ^{+0.000} / _{-0.015}	68.47
SPR-3252	3-1/4	1/4	.2505 ^{+0.003} / _{+0.000}	3.250	.249 ^{+0.000} / _{-0.001}	.118 ^{+0.000} / _{-0.015}	10.54
SPR-3260	3.26	1/4	.2505 ^{+0.003} / _{+0.000}	3.260	.249 ^{+0.000} / _{-0.001}	.130 ^{+0.000} / _{-0.015}	12.90
SPR-3280	3.28	3/16	.188 ^{+0.003} / _{+0.000}	3.280	.1865 ^{+0.000} / _{-0.001}	.118 ^{+0.000} / _{-0.015}	10.94
SPR-3375	3-3/8	3/16	.188 ^{+0.003} / _{+0.000}	3.375	.1865 ^{+0.000} / _{-0.001}	.121 ^{+0.000} / _{-0.015}	17.15
SPR-3497	3.497	3/16	.188 ^{+0.003} / _{+0.000}	3.497	.1865 ^{+0.000} / _{-0.001}	.124 ^{+0.000} / _{-0.015}	10.94
SPR-3500	3-1/2	1/8	.1255 ^{+0.003} / _{+0.000}	3.500	.124 ^{+0.000} / _{-0.001}	.124 ^{+0.000} / _{-0.015}	10.94
SPR-3505	3-1/2	3/16	.188 ^{+0.003} / _{+0.000}	3.500	.1865 ^{+0.000} / _{-0.001}	.124 ^{+0.000} / _{-0.015}	10.94
SPR-3502	3-1/2	1/4	.2505 ^{+0.003} / _{+0.000}	3.500	.249 ^{+0.000} / _{-0.001}	.124 ^{+0.000} / _{-0.015}	10.94
SPR-3503	3-1/2	3/8	.3755 ^{+0.003} / _{+0.000}	3.500	.373 ^{+0.000} / _{-0.001}	.124 ^{+0.000} / _{-0.015}	17.34
SPR-3520-BC	3.52	3/16	.188 ^{+0.003} / _{+0.000}	3.520	.186 ^{+0.000} / _{-0.002}	.145 ^{+0.000} / _{-0.015}	11.91
SPR-3625	3-5/8	1/4	.2505 ^{+0.003} / _{+0.000}	3.625	.249 ^{+0.000} / _{-0.001}	.160 ^{+0.000} / _{-0.015}	14.69
SPR-3626	3-5/8	1/4	.2505 ^{+0.003} / _{+0.000}	3.625	.249 ^{+0.000} / _{-0.001}	.185 ^{+0.000} / _{-0.015}	21.78
SPR-3750	3-3/4	3/16	.188 ^{+0.003} / _{+0.000}	3.750	.1865 ^{+0.000} / _{-0.001}	.130 ^{+0.000} / _{-0.015}	11.27
SPR-3752	3-3/4	3/16	.188 ^{+0.003} / _{+0.000}	3.750	.1865 ^{+0.000} / _{-0.002}	.190 ^{+0.000} / _{-0.015}	72.60
SPR-3751	3-3/4	1/4	.2505 ^{+0.003} / _{+0.000}	3.750	.249 ^{+0.000} / _{-0.001}	.130 ^{+0.000} / _{-0.015}	11.27
SPR-3875	3-7/8	1/4	.2505 ^{+0.003} / _{+0.000}	3.875	.249 ^{+0.000} / _{-0.001}	.138 ^{+0.000} / _{-0.015}	11.37
SPR-3990	3.99	1/4	.2505 ^{+0.003} / _{+0.000}	3.990	.249 ^{+0.000} / _{-0.001}	.142 ^{+0.000} / _{-0.015}	11.37
SPR-4002	4	3/16	.188 ^{+0.003} / _{+0.000}	4.000	.1865 ^{+0.000} / _{-0.001}	.142 ^{+0.000} / _{-0.015}	10.95
SPR-4007	4	3/16	.188 ^{+0.003} / _{+0.000}	4.000	.1865 ^{+0.000} / _{-0.001}	.199 ^{+0.000} / _{-0.015}	72.60
SPR-4000	4	1/4	.2505 ^{+0.003} / _{+0.000}	4.000	.249 ^{+0.000} / _{-0.001}	.142 ^{+0.000} / _{-0.015}	11.37
SPR-4003	4	5/16	.313 ^{+0.003} / _{+0.000}	4.000	.311 ^{+0.000} / _{-0.001}	.142 ^{+0.000} / _{-0.015}	11.37
SPR-4020	4.02	5/16	.313 ^{+0.003} / _{+0.000}	4.020	.311 ^{+0.000} / _{-0.001}	.142 ^{+0.000} / _{-0.015}	14.34
SPR-4030	4.03	1/4	.2505 ^{+0.003} / _{+0.000}	4.030	.249 ^{+0.000} / _{-0.001}	.142 ^{+0.000} / _{-0.015}	11.37
SPR-4250	4-1/4	1/4	.2505 ^{+0.003} / _{+0.000}	4.250	.249 ^{+0.000} / _{-0.001}	.150 ^{+0.000} / _{-0.015}	12.02
SPR-4251	4-1/4	1/4	.2505 ^{+0.003} / _{+0.000}	4.250	.249 ^{+0.000} / _{-0.001}	.181 ^{+0.000} / _{-0.015}	74.92
SPR-4252-BC	4-1/4	1/4	.2505 ^{+0.003} / _{+0.000}	4.250	.249 ^{+0.000} / _{-0.001}	.177 ^{+0.000} / _{-0.010}	18.88
SPR-4260	4.26	1/4	.2505 ^{+0.003} / _{+0.000}	4.260	.249 ^{+0.000} / _{-0.001}	.167 ^{+0.000} / _{-0.015}	12.02
SPR-4496	4.496	1/4	.2505 ^{+0.003} / _{+0.000}	4.496	.249 ^{+0.000} / _{-0.001}	.150 ^{+0.000} / _{-0.015}	12.30

STYLE SPR IRON PISTON RINGS

Part Number	B Nom. OD	C Nom. Ht	D GROOVE WIDTH	J BORE DIAMETER	C HEIGHT	CS ₁ RING CROSS SECTION	List Price
SPR-4501	4-1/2	3/16	.188 ^{+0.003} / _{+0.000}	4.500	.1865 ^{+0.000} / _{-0.001}	.160 ^{+0.000} / _{-0.015}	12.02
SPR-4502	4-1/2	1/4	.2505 ^{+0.003} / _{+0.000}	4.500	.249 ^{+0.000} / _{-0.001}	.160 ^{+0.000} / _{-0.015}	12.41
SPR-4504	4-1/2	1/4	.2505 ^{+0.003} / _{+0.000}	4.500	.249 ^{+0.000} / _{-0.001}	.199 ^{+0.000} / _{-0.015}	74.92
SPR-4506-BC	4-1/2	1/4	.2505 ^{+0.003} / _{+0.000}	4.500	.249 ^{+0.000} / _{-0.001}	.130 ^{+0.000} / _{-0.015}	37.19
SPR-4500	4-1/2	5/16	.313 ^{+0.003} / _{+0.000}	4.500	.311 ^{+0.000} / _{-0.001}	.160 ^{+0.000} / _{-0.015}	12.27
SPR-4503	4-1/2	3/8	.3755 ^{+0.003} / _{+0.000}	4.500	.373 ^{+0.000} / _{-0.001}	.160 ^{+0.000} / _{-0.015}	20.50
SPR-4520-BC	4.52	3/16	.188 ^{+0.003} / _{+0.000}	4.520	.186 ^{+0.000} / _{-0.002}	.160 ^{+0.000} / _{-0.015}	12.14
SPR-4540	4.54	3/16	.188 ^{+0.003} / _{+0.000}	4.540	.1865 ^{+0.000} / _{-0.001}	.167 ^{+0.000} / _{-0.015}	12.27
SPR-4751	4-3/4	1/4	.2505 ^{+0.003} / _{+0.000}	4.750	.249 ^{+0.000} / _{-0.001}	.167 ^{+0.000} / _{-0.015}	12.30
SPR-4876-BC	4-7/8	3/8	.3755 ^{+0.003} / _{+0.000}	4.875	.373 ^{+0.000} / _{-0.001}	.124 ^{+0.000} / _{-0.015}	36.04
SPR-5005	5	1/8	.1255 ^{+0.003} / _{+0.000}	5.000	.124 ^{+0.000} / _{-0.001}	.175 ^{+0.000} / _{-0.015}	16.52
SPR-5001	5	3/16	.188 ^{+0.003} / _{+0.000}	5.000	.1865 ^{+0.000} / _{-0.001}	.175 ^{+0.000} / _{-0.015}	12.66
SPR-5000	5	1/4	.2505 ^{+0.003} / _{+0.000}	5.000	.249 ^{+0.000} / _{-0.001}	.150 ^{+0.000} / _{-0.010}	12.66
SPR-5002	5	1/4	.2505 ^{+0.003} / _{+0.000}	5.000	.249 ^{+0.000} / _{-0.001}	.175 ^{+0.000} / _{-0.015}	12.66
SPR-5004	5	5/16	.313 ^{+0.003} / _{+0.000}	5.000	.311 ^{+0.000} / _{-0.001}	.175 ^{+0.000} / _{-0.015}	19.52
SPR-5003	5	3/8	.3755 ^{+0.003} / _{+0.000}	5.000	.373 ^{+0.000} / _{-0.001}	.175 ^{+0.000} / _{-0.015}	16.78
SPR-5030	5.03	1/4	.2505 ^{+0.003} / _{+0.000}	5.030	.249 ^{+0.000} / _{-0.001}	.185 ^{+0.000} / _{-0.020}	14.58
SPR-5120	5-1/8	1/4	.2505 ^{+0.003} / _{+0.000}	5.125	.249 ^{+0.000} / _{-0.001}	.172 ^{+0.000} / _{-0.006}	18.30
SPR-5121	5-1/8	1/4	.2505 ^{+0.003} / _{+0.000}	5.125	.249 ^{+0.000} / _{-0.001}	.160 ^{+0.000} / _{-0.015}	26.22
SPR-5251	5-1/4	1/4	.2505 ^{+0.003} / _{+0.000}	5.250	.249 ^{+0.000} / _{-0.001}	.181 ^{+0.000} / _{-0.015}	19.69
SPR-5252	5-1/4	9/32	.280 ^{+0.003} / _{+0.000}	5.250	.279 ^{+0.000} / _{-0.001}	.170 ^{+0.000} / _{-0.010}	29.23
SPR-5260	5.26	1/4	.2505 ^{+0.003} / _{+0.000}	5.260	.249 ^{+0.000} / _{-0.001}	.195 ^{+0.000} / _{-0.015}	15.82
SPR-5496	5.496	1/4	.2505 ^{+0.003} / _{+0.000}	5.496	.249 ^{+0.000} / _{-0.001}	.160 ^{+0.000} / _{-0.020}	16.88
SPR-5501	5-1/2	3/16	.188 ^{+0.003} / _{+0.000}	5.500	.1865 ^{+0.000} / _{-0.001}	.190 ^{+0.000} / _{-0.015}	17.10
SPR-5502	5-1/2	1/4	.2505 ^{+0.003} / _{+0.000}	5.500	.249 ^{+0.000} / _{-0.001}	.190 ^{+0.000} / _{-0.015}	17.10
SPR-5500	5-1/2	5/16	.313 ^{+0.003} / _{+0.000}	5.500	.311 ^{+0.000} / _{-0.001}	.190 ^{+0.000} / _{-0.015}	17.10
SPR-5503	5-1/2	3/8	.3755 ^{+0.003} / _{+0.000}	5.500	.373 ^{+0.000} / _{-0.001}	.190 ^{+0.000} / _{-0.015}	22.67
SPR-5520-BC	5.52	3/16	.188 ^{+0.003} / _{+0.000}	5.520	.186 ^{+0.000} / _{-0.002}	.200 ^{+0.000} / _{-0.015}	17.11
SPR-5540	5.54	3/16	.188 ^{+0.003} / _{+0.000}	5.540	.1865 ^{+0.000} / _{-0.001}	.210 ^{+0.000} / _{-0.030}	20.43
SPR-5750	5-3/4	3/16	.188 ^{+0.003} / _{+0.000}	5.750	.1865 ^{+0.000} / _{-0.001}	.199 ^{+0.000} / _{-0.015}	21.72

STYLE SPR IRON PISTON RINGS

Part Number	B Nom. OD	C Nom. Ht	D GROOVE WIDTH	J BORE DIAMETER	C HEIGHT	CS ₁ RING CROSS SECTION	List Price
SPR-5751	5-3/4	1/4	.2505 ^{+0.003} / _{+0.000}	5.750	.249 ^{+0.000} / _{-0.001}	.199 ^{+0.000} / _{-0.015}	23.02
SPR-5752	5-3/4	5/16	.313 ^{+0.003} / _{+0.000}	5.750	.311 ^{+0.000} / _{-0.001}	.199 ^{+0.000} / _{-0.015}	24.85
SPR-6001	6	1/8	.1255 ^{+0.003} / _{+0.000}	6.000	.124 ^{+0.000} / _{-0.002}	.206 ^{+0.000} / _{-0.015}	23.24
SPR-6006	6	3/16	.188 ^{+0.003} / _{+0.000}	6.000	.1865 ^{+0.000} / _{-0.002}	.206 ^{+0.000} / _{-0.015}	21.70
SPR-6000	6	1/4	.2505 ^{+0.003} / _{+0.000}	6.000	.249 ^{+0.000} / _{-0.002}	.160 ^{+0.000} / _{-0.020}	17.29
SPR-6002	6	1/4	.2505 ^{+0.003} / _{+0.000}	6.000	.249 ^{+0.000} / _{-0.002}	.206 ^{+0.000} / _{-0.015}	17.28
SPR-6004	6	5/16	.313 ^{+0.003} / _{+0.000}	6.000	.311 ^{+0.000} / _{-0.002}	.206 ^{+0.000} / _{-0.015}	17.28
SPR-6005	6	3/8	.3755 ^{+0.003} / _{+0.000}	6.000	.373 ^{+0.000} / _{-0.002}	.206 ^{+0.000} / _{-0.015}	20.33
SPR-6030	6.03	1/4	.2505 ^{+0.003} / _{+0.000}	6.030	.249 ^{+0.000} / _{-0.002}	.206 ^{+0.000} / _{-0.015}	21.70
SPR-6040	6.04	3/16	.188 ^{+0.003} / _{+0.000}	6.040	.1865 ^{+0.000} / _{-0.002}	.205 ^{+0.000} / _{-0.015}	24.96
SPR-6120	6-1/8	1/4	.2505 ^{+0.003} / _{+0.000}	6.125	.249 ^{+0.000} / _{-0.002}	.206 ^{+0.000} / _{-0.015}	26.65
SPR-6250	6-1/4	3/16	.188 ^{+0.003} / _{+0.000}	6.250	.1865 ^{+0.000} / _{-0.002}	.217 ^{+0.000} / _{-0.015}	27.09
SPR-6252	6-1/4	1/4	.2505 ^{+0.003} / _{+0.000}	6.250	.249 ^{+0.000} / _{-0.002}	.217 ^{+0.000} / _{-0.015}	30.49
SPR-6251	6-1/4	5/16	.313 ^{+0.003} / _{+0.000}	6.250	.311 ^{+0.000} / _{-0.002}	.217 ^{+0.000} / _{-0.015}	27.09
SPR-6260	6.26	1/4	.2505 ^{+0.003} / _{+0.000}	6.260	.249 ^{+0.000} / _{-0.001}	.206 ^{+0.000} / _{-0.015}	18.67
SPR-6496	6.496	1/4	.2505 ^{+0.003} / _{+0.000}	6.496	.249 ^{+0.000} / _{-0.002}	.160 ^{+0.000} / _{-0.020}	20.26
SPR-6501	6-1/2	3/16	.188 ^{+0.003} / _{+0.000}	6.500	.1865 ^{+0.000} / _{-0.002}	.226 ^{+0.000} / _{-0.015}	32.33
SPR-6503	6-1/2	3/16	.188 ^{+0.003} / _{+0.000}	6.500	.187 ^{+0.000} / _{-0.001}	.226 ^{+0.000} / _{-0.015}	39.93
SPR-6502	6-1/2	1/4	.2505 ^{+0.003} / _{+0.000}	6.500	.249 ^{+0.000} / _{-0.002}	.226 ^{+0.000} / _{-0.015}	19.78
SPR-6500	6-1/2	5/16	.313 ^{+0.003} / _{+0.000}	6.500	.311 ^{+0.000} / _{-0.002}	.226 ^{+0.000} / _{-0.015}	19.78
SPR-6505	6-1/2	1/2	.5005 ^{+0.003} / _{+0.000}	6.500	.498 ^{+0.000} / _{-0.002}	.225 ^{+0.000} / _{-0.015}	62.12
SPR-6520-BC	6.52	3/16	.188 ^{+0.003} / _{+0.000}	6.520	.186 ^{+0.000} / _{-0.002}	.235 ^{+0.000} / _{-0.015}	39.63
SPR-6750	6-3/4	1/4	.2505 ^{+0.003} / _{+0.000}	6.750	.249 ^{+0.000} / _{-0.002}	.190 ^{+0.000} / _{-0.015}	25.35
SPR-6752	6-3/4	1/4	.2505 ^{+0.003} / _{+0.000}	6.750	.249 ^{+0.000} / _{-0.002}	.234 ^{+0.000} / _{-0.015}	30.97
SPR-6751	6-3/4	5/16	.313 ^{+0.003} / _{+0.000}	6.750	.311 ^{+0.000} / _{-0.002}	.234 ^{+0.000} / _{-0.015}	29.66
SPR-7004	7	.24	.241 ^{+0.003} / _{+0.000}	7.000	.240 ^{+0.000} / _{-0.001}	.252 ^{+0.000} / _{-0.015}	26.44
SPR-7000	7	1/4	.2505 ^{+0.003} / _{+0.000}	7.000	.249 ^{+0.000} / _{-0.002}	.160 ^{+0.000} / _{-0.020}	22.78
SPR-7002	7	1/4	.2505 ^{+0.003} / _{+0.000}	7.000	.249 ^{+0.000} / _{-0.002}	.243 ^{+0.000} / _{-0.015}	22.78
SPR-7005	7	5/16	.313 ^{+0.003} / _{+0.000}	7.000	.311 ^{+0.000} / _{-0.002}	.243 ^{+0.000} / _{-0.015}	31.16
SPR-7003	7	3/8	.3755 ^{+0.003} / _{+0.000}	7.000	.373 ^{+0.000} / _{-0.002}	.243 ^{+0.000} / _{-0.015}	31.16

STYLE SPR IRON PISTON RINGS

Part Number	B Nom. OD	C Nom. Ht	D GROOVE WIDTH	J BORE DIAMETER	C HEIGHT	CS ₁ RING CROSS SECTION	List Price
SPR-7006	7	1/2	.5005 ^{+0.003} / _{+0.000}	7.000	.498 ^{+0.000} / _{-0.002}	.243 ^{+0.000} / _{-0.015}	49.16
SPR-7030	7.03	5/16	.313 ^{+0.003} / _{+0.000}	7.030	.311 ^{+0.000} / _{-0.002}	.263 ^{+0.000} / _{-0.030}	31.16
SPR-7125	7-1/8	1/4	.2505 ^{+0.003} / _{+0.000}	7.125	.249 ^{+0.000} / _{-0.002}	.252 ^{+0.000} / _{-0.015}	38.66
SPR-7250	7-1/4	1/4	.2505 ^{+0.003} / _{+0.000}	7.250	.249 ^{+0.000} / _{-0.002}	.175 ^{+0.000} / _{-0.015}	34.65
SPR-7255	7-1/4	5/16	.313 ^{+0.003} / _{+0.000}	7.250	.311 ^{+0.000} / _{-0.002}	.252 ^{+0.000} / _{-0.015}	34.65
SPR-7260	7.26	1/4	.2505 ^{+0.003} / _{+0.000}	7.260	.249 ^{+0.000} / _{-0.002}	.268 ^{+0.000} / _{-0.015}	27.66
SPR-7375	7-3/8	3/8	.3755 ^{+0.003} / _{+0.000}	7.375	.373 ^{+0.000} / _{-0.002}	.206 ^{+0.000} / _{-0.015}	45.41
SPR-7496	7.496	1/4	.2505 ^{+0.003} / _{+0.000}	7.496	.249 ^{+0.000} / _{-0.002}	.160 ^{+0.000} / _{-0.015}	30.71
SPR-7501	7-1/2	1/4	.2505 ^{+0.003} / _{+0.000}	7.500	.249 ^{+0.000} / _{-0.002}	.260 ^{+0.000} / _{-0.015}	29.27
SPR-7500	7-1/2	5/16	.313 ^{+0.003} / _{+0.000}	7.500	.311 ^{+0.000} / _{-0.002}	.226 ^{+0.000} / _{-0.015}	42.24
SPR-7505	7-1/2	5/16	.313 ^{+0.003} / _{+0.000}	7.500	.311 ^{+0.000} / _{-0.002}	.259 ^{+0.000} / _{-0.015}	34.24
SPR-7520-BC	7.52	3/16	.188 ^{+0.003} / _{+0.000}	7.520	.186 ^{+0.000} / _{-0.002}	.275 ^{+0.000} / _{-0.015}	50.48
SPR-7750	7-3/4	5/16	.313 ^{+0.003} / _{+0.000}	7.750	.311 ^{+0.000} / _{-0.002}	.267 ^{+0.000} / _{-0.015}	42.24
SPR-8000	8	5/16	.313 ^{+0.003} / _{+0.000}	8.000	.311 ^{+0.000} / _{-0.002}	.226 ^{+0.000} / _{-0.015}	32.58
SPR-8005	8	5/16	.313 ^{+0.003} / _{+0.000}	8.000	.311 ^{+0.000} / _{-0.002}	.275 ^{+0.000} / _{-0.015}	34.65
SPR-8006	8	3/8	.3755 ^{+0.003} / _{+0.000}	8.000	.373 ^{+0.000} / _{-0.002}	.275 ^{+0.000} / _{-0.015}	34.65
SPR-8001	8	.435	.4375 ^{+0.003} / _{+0.000}	8.000	.435 ^{+0.000} / _{-0.001}	.270 ^{+0.000} / _{-0.015}	57.58
SPR-8030	8.03	5/16	.313 ^{+0.003} / _{+0.000}	8.030	.311 ^{+0.000} / _{-0.002}	.295 ^{+0.000} / _{-0.030}	36.67
SPR-8125	8-1/8	.435	.4375 ^{+0.003} / _{+0.000}	8.125	.435 ^{+0.000} / _{-0.001}	.270 ^{+0.000} / _{-0.015}	62.22
SPR-8250	8-1/4	3/8	.3755 ^{+0.003} / _{+0.000}	8.250	.373 ^{+0.000} / _{-0.002}	.283 ^{+0.000} / _{-0.015}	47.79
SPR-8370	8-3/8	1/4	.2505 ^{+0.003} / _{+0.000}	8.375	.249 ^{+0.000} / _{-0.002}	.283 ^{+0.000} / _{-0.015}	50.50
SPR-8420	8.42	1/4	.2505 ^{+0.003} / _{+0.000}	8.420	.249 ^{+0.000} / _{-0.001}	.306 ^{+0.000} / _{-0.015}	38.41
SPR-8496	8.496	1/4	.2505 ^{+0.003} / _{+0.000}	8.496	.249 ^{+0.000} / _{-0.002}	.160 ^{+0.000} / _{-0.020}	42.99
SPR-8500	8-1/2	5/16	.313 ^{+0.003} / _{+0.000}	8.500	.311 ^{+0.000} / _{-0.002}	.225 ^{+0.000} / _{-0.015}	47.10
SPR-8503	8-1/2	5/16	.313 ^{+0.003} / _{+0.000}	8.500	.311 ^{+0.000} / _{-0.002}	.309 ^{+0.000} / _{-0.015}	47.10
SPR-8502	8-1/2	3/8	.3755 ^{+0.003} / _{+0.000}	8.500	.373 ^{+0.000} / _{-0.002}	.290 ^{+0.000} / _{-0.015}	56.82
SPR-8520-BC	8.52	3/16	.188 ^{+0.003} / _{+0.000}	8.520	.186 ^{+0.000} / _{-0.002}	.310 ^{+0.000} / _{-0.015}	55.32
SPR-8751	8-3/4	3/8	.3785 ^{+0.003} / _{+0.000}	8.750	.376 ^{+0.000} / _{-0.002}	.305 ^{+0.000} / _{-0.005}	55.30
SPR-9001	9	5/16	.313 ^{+0.003} / _{+0.000}	9.000	.311 ^{+0.000} / _{-0.002}	.309 ^{+0.000} / _{-0.015}	59.89
SPR-9000	9	3/8	.3755 ^{+0.003} / _{+0.000}	9.000	.373 ^{+0.000} / _{-0.002}	.309 ^{+0.000} / _{-0.015}	56.06

STYLE SPR IRON PISTON RINGS

Part Number	B Nom. OD	C Nom. Ht	D GROOVE WIDTH	J BORE DIAMETER	C HEIGHT	CS ₁ RING CROSS SECTION	List Price
SPR-9004	9	.435	.4375 ^{+0.003} / _{+0.000}	9.000	.435 ^{+0.000} / _{-.002}	.259 ^{+0.000} / _{-.015}	81.18
SPR-9005	9	1/2	.5005 ^{+0.003} / _{+0.000}	9.000	.498 ^{+0.000} / _{-.002}	.195 ^{+0.000} / _{-.020}	98.78
SPR-9025	9.025	1/4	.2505 ^{+0.003} / _{+0.000}	9.025	.248 ^{+0.000} / _{-.001}	.328 ^{+0.000} / _{-.015}	89.29
SPR-9170	9.17	5/16	.313 ^{+0.003} / _{+0.000}	9.170	.311 ^{+0.000} / _{-.002}	.308 ^{+0.000} / _{-.010}	64.84
SPR-9250	9-1/4	1/4	.2505 ^{+0.003} / _{+0.000}	9.250	.249 ^{+0.000} / _{-.002}	.175 ^{+0.000} / _{-.015}	65.36
SPR-9251	9-1/4	5/16	.313 ^{+0.003} / _{+0.000}	9.250	.311 ^{+0.000} / _{-.002}	.315 ^{+0.000} / _{-.015}	97.96
SPR-9501	9-1/2	1/4	.2505 ^{+0.003} / _{+0.000}	9.500	.249 ^{+0.000} / _{-.002}	.320 ^{+0.000} / _{-.015}	139.10
SPR-9500	9-1/2	5/16	.313 ^{+0.003} / _{+0.000}	9.500	.311 ^{+0.000} / _{-.002}	.320 ^{+0.000} / _{-.015}	145.71
SPR-9502	9-1/2	3/8	.3755 ^{+0.003} / _{+0.000}	9.500	.373 ^{+0.000} / _{-.002}	.320 ^{+0.000} / _{-.015}	107.94
SPR-9746	9.746	1/4	.2505 ^{+0.003} / _{+0.000}	9.746	.249 ^{+0.000} / _{-.002}	.160 ^{+0.000} / _{-.020}	68.32
SPR-9885	9.885	1/4	.2505 ^{+0.003} / _{+0.000}	9.885	.249 ^{+0.000} / _{-.002}	.340 ^{+0.000} / _{-.015}	80.99
SPR-10000	10	5/16	.313 ^{+0.003} / _{+0.000}	10.000	.311 ^{+0.000} / _{-.002}	.332 ^{+0.000} / _{-.015}	71.07
SPR-10001	10	3/8	.3755 ^{+0.003} / _{+0.000}	10.000	.373 ^{+0.000} / _{-.002}	.332 ^{+0.000} / _{-.015}	80.61
SPR-10030	10.03	5/16	.313 ^{+0.003} / _{+0.000}	10.030	.311 ^{+0.000} / _{-.001}	.345 ^{+0.000} / _{-.010}	87.56
SPR-10503	10-1/2	1/4	.2505 ^{+0.003} / _{+0.000}	10.500	.249 ^{+0.000} / _{-.001}	.380 ^{+0.000} / _{-.015}	158.20
SPR-10501	10-1/2	3/8	.3755 ^{+0.003} / _{+0.000}	10.500	.373 ^{+0.000} / _{-.002}	.332 ^{+0.000} / _{-.015}	104.01
SPR-10502	10-1/2	5/8	.6255 ^{+0.003} / _{+0.000}	10.500	.623 ^{+0.000} / _{-.002}	.253 ^{+0.000} / _{-.015}	176.88
SPR-11000	11	.474	.4765 ^{+0.003} / _{+0.000}	11.000	.474 ^{+0.000} / _{-.002}	.317 ^{+0.000} / _{-.015}	130.22
SPR-11001	11	1/2	.5005 ^{+0.003} / _{+0.000}	11.000	.498 ^{+0.000} / _{-.002}	.190 ^{+0.000} / _{-.015}	159.39
SPR-12001	12	7/16	.4385 ^{+0.003} / _{+0.000}	12.000	.436 ^{+0.000} / _{-.002}	.379 ^{+0.000} / _{-.015}	182.27
SPR-12030	12.03	3/8	.3755 ^{+0.003} / _{+0.000}	12.030	.373 ^{+0.000} / _{-.002}	.401 ^{+0.000} / _{-.015}	149.46